

# Product Data Sheet



## VPP 200/20G

EAN 4047526012878

ID 12872

### Wheel with standard solid rubber tyres, with synthetic rim

#### Wheels:

Made of standard solid rubber, very high operational comfort, low-noise operation, very good floor preservation, PAH conform acc. to EU directive 2005/69/EC.

**Tread colours:** black

#### Wheel centre/rim:

Made of high-quality, impact-resistant polypropylene. Pressed-on tyre.

**Wheel centre colour:** black



#### Rolling resistance

■ ■ ■ ■ Satisfactory

#### Operating noise

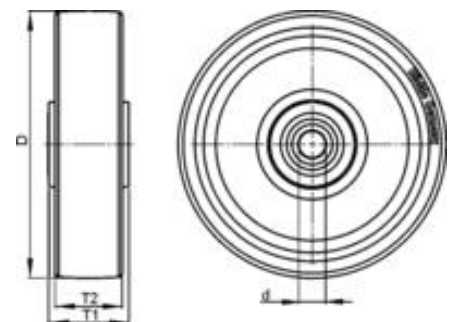
■ ■ ■ ■ □ Very good

#### Floor surface preservation

■ ■ ■ ■ □ Very good

### Technical data

Wheel Ø		200 mm (D)
Tyre width		50 mm (T2)
Load capacity		205 kg
Axle bore Ø		20 mm (d)
Hub length		60 mm (T1)
unit weight		1,1 kg
Temperature resistance to		-20 ° C
Temperature resistance to		60 ° C
tread and tyre hardness		80° Shore A
Bearing type		Plain bore



# Product Data Sheet



## Variants



### **VPP 200/20G-SG**

Wheel with standard solid rubber tyres,  
with synthetic rim