

Product Data Sheet



VPP 250/25G

EAN 4047526014063

ID 14068

Wheel with standard solid rubber tyres, with synthetic rim

Wheels:

Made of standard solid rubber, very high operational comfort, low-noise operation, very good floor preservation, PAH conform acc. to EU directive 2005/69/EC.

Tread colours: black

Wheel centre/rim:

Made of high-quality, impact-resistant polypropylene. Pressed-on tyre.

Wheel centre colour: black



Rolling resistance

■ ■ ■ ■ Satisfactory

Operating noise

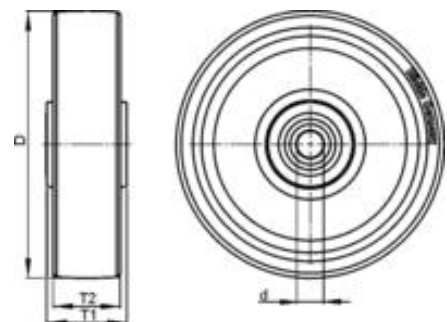
■ ■ ■ ■ □ Very good

Floor surface preservation

■ ■ ■ ■ □ Very good

Technical data

Wheel Ø		250 mm (D)
Tyre width		60 mm (T2)
Load capacity		295 kg
Axle bore Ø		25 mm (d)
Hub length		65 mm (T1)
unit weight		2 kg
Temperature resistance to		-20 ° C
Temperature resistance to		60 ° C
tread and tyre hardness		80° Shore A
Bearing type		Plain bore



Product Data Sheet



Variants



VPP 250/25G-SG

Wheel with standard solid rubber tyres,
with synthetic rim