






<b>V</b> VOLTAGE CLASS	<b>I<sub>2</sub> MAX</b> 60% CO <sub>2</sub>	<b>I<sub>2</sub> MAX</b> 60% ARGON CO <sub>2</sub> (80/20)	<b>V<sub>2</sub></b> ~==	 Ø	<b>GAS</b> 	<b>AIR</b> 
L	340	220	DC	mm 0,8÷1,2	1/1' 10÷20	aria

## COMPLETE TORCHES

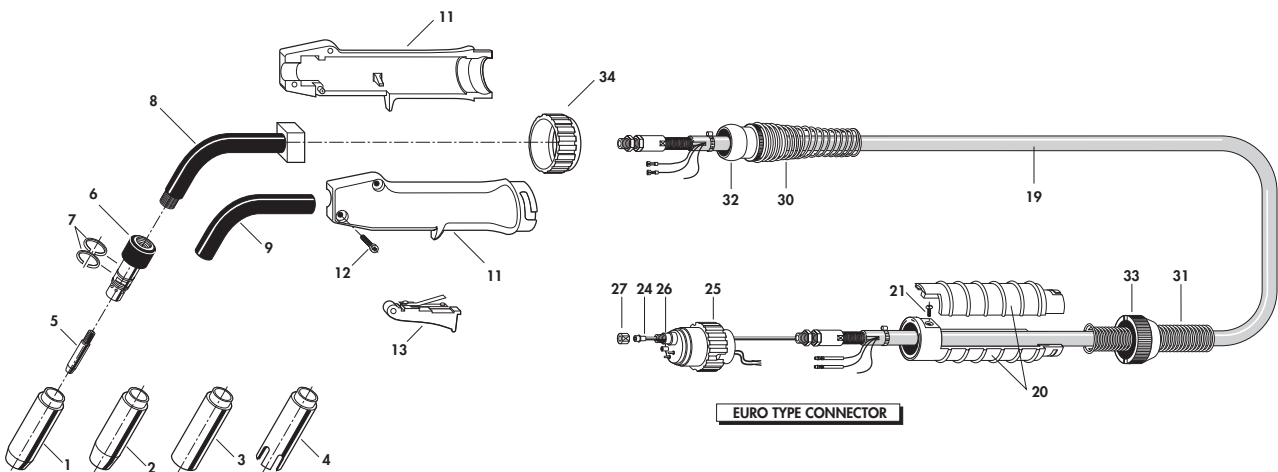
WITH EURO CONNECTOR "SPRING PINS"

Model	Part No	Length. m
RB.36.3.F	161.130.307	3
RB.36.4.F	161.130.407	4

## COMPLETE TORCHES with USA cablehoz

WITH EURO CONNECTOR "SPRING PINS"

Model	Part No	Length. m
RB.36.3.F - USA	161.210.307	3
RB.36.4.F - USA	161.210.407	4



## SPARES

Pos.	Description	Part No	Bag	Pos.	Description	Part No	Bag
1	Gas nozzle i. Ø 16	179.105.115	10	19	USA cable for torch 4 m	108.300.402	1
2	Tapered nozzle i. Ø 13	179.109.124	10	20	Cable support (connector side)	156.101.103	1
3	Cylindric nozzle i. Ø 20	179.104.112	10	21	Support screw	181.106.101	50
4	Pointing nozzle i. Ø 20	179.107.109	10	24	3 m steel liner for wires Ø 0.6/1.0	130.020.302	1
5	Contact tip Ø 0.8 Cu	147.010.108	25	24	4 m steel liner for wires Ø 0.6/1.0	130.020.402	1
5	Contact tip Ø 1.0 Cu	147.010.110	25	24	3 m steel liner for wires Ø 1.0/1.2	130.030.302	1
5	Contact tip Ø 1.2 Cu	147.010.112	25	24	4 m steel liner for wires Ø 1.0/1.2	130.030.402	1
5	Contact tip Ø 1.4 Cu	147.010.114	25	24	3 m liner for Al. wires Ø 0.8/1.0 Teflon	134.040.302	1
5	Contact tip Ø 0.8 Cu-Cr	147.020.108	25	24	4 m liner for Al. wires Ø 0.8/1.0 Teflon	134.040.402	1
5	Contact tip Ø 1.0 Cu-Cr	147.020.110	25	24	3 m liner for Al. wires Ø 1.2/1.6 Teflon	134.050.302	1
5	Contact tip Ø 1.2 Cu-Cr	147.020.112	25	24	4 m liner for Al. wires Ø 1.2/1.6 Teflon	134.050.402	1
5	Contact tip Ø 1.4 Cu-Cr	147.020.114	25	24	4 m liner for Al. wires Ø 0.8/1.0 Carbo	134.030.402	1
6	Gas diffuser	118.102.119	5	24	4 m liner for Al. wires Ø 1.2/1.6 Carbo	134.090.402	1
7	Elastic ring	101.101.105	20	25	Locking ring	127.102.102	5
8	Torch body with insulator	116.103.114	1	26	EURO connector (spring pins)	142.105.113	1
9	WUKON insulating tube	140.104.204	1	27	Liner nut	117.101.101	10
11	Handle case whit screw and locking ring	137.100.110	1	30	Spring (handle side)	141.106.110	1
12	Handle case screw	181.103.105	50	31	Spring (connector side)	141.106.107	1
13	Complete bladeswitch	146.101.102	5	32	Knuckle joint for handle	156.102.106	1
19	Cable for torch 3 m	108.350.302	1	33	Support locking ring	127.105.101	1
19	Cable for torch 4 m	108.350.402	1	34	Locking ring	127.108.101	1
19	USA cable for torch 3 m	108.300.302	1				

