

Product Data Sheet



LH-G 100G-1

EAN 4047526236106

ID 236109

Pressed steel swivel castor, heavy duty castors, with top plate fitting, Cast iron wheel

Bracket:

Made of heavy pressed steel, with heavy fork and top plate, very strong bolted and secured central kingpin, double ball bearing in the swivel head, additionally reinforced by the integration of four specially shaped and hardened bearing seats resulting in a very high resistance to shock and impact loads. Bolted wheel axle. Bolted wheel axle. Zinc-plated, blue-passivated, Cr6-free.

Wheels:

Made of rugged grey cast iron, machined tread and tread edges, with grease nipple, exceptionally low rolling and swivel resistance, outstanding wear resistance, lacquered.

Tread colours: silver grey

Wheel centre/rim: - Wheel centre colour: silver grey



Rolling resistance

■■■■■ Excellent

Operating noise

■□□□□ Sufficient

Floor surface preservation

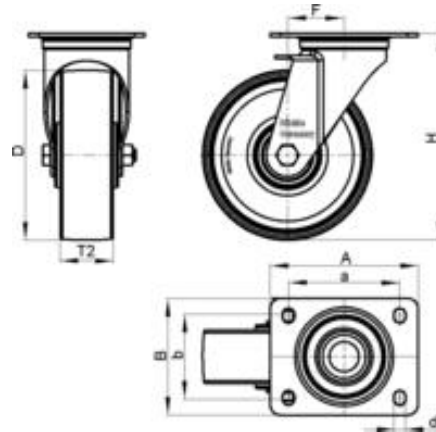
■□□□□ Sufficient

Product Data Sheet



Technical data

Plate size		100 x 85
Bolt hole spacing		80 x 60
Bolt hole Ø		9
Wheel Ø		100 mm (D)
Wheel width		35 mm (T2)
Load capacity		400 kg
Total height		140 mm (H)
Offset swivel castor		45 mm
unit weight		2,4 kg
Temperature resistance to		-25 ° C
Temperature resistance to		120 ° C
tread and tyre hardness		180 - 220 HB
Bearing type		Plain bore



Product Data Sheet



Variants



LH-G 100G-1-FI

Pressed steel swivel castor, heavy duty castors, with top plate fitting and 'stop-fix' brake, Cast iron wheel



LH-G 100G-1-ST

Pressed steel swivel castor, heavy duty castors, with top plate fitting and 'stop-top' brake, Cast iron wheel

Option:



RI-04.01

Directional lock