

# Product Data Sheet



## LK-RD 125R-3

EAN 4047526263065

ID 263061

**Pressed steel swivel castor, medium heavy duty brackets, with top plate fitting, Wheels with 'Blickle Comfort' two-component solid rubber tyres, with pressed steel rim**

### Bracket:

Made of heavy pressed steel, swivel bracket with double ball bearing in the swivel head, swivel head seals. The special Blickle dynamic riveting process of the swivel head results in minimal swivel head play and smooth rolling characteristics with an increased service life achieved by the work hardening of the ball race grooves. Bolted wheel axle. Zinc-plated, blue-passivated, Cr6-free.

### Wheels:

Made of 'Blickle Comfort' two-component solid rubber, with hard rubber core and highly elastic rubber tread, very high operational comfort, low-noise operation, compared to standard solid rubber the operational comfort and the load capacity are increased whereas the rolling resistance is reduced, very good floor preservation.

**Tread colours:** black

### Wheel centre/rim:

Pressed steel rim with tubular steel hub, pressed rim (special shock and impact-resistant design), zinc-plated, blue-passivated, Cr6-free. Tyre pressed with rim.

**Wheel centre colour:** blue passivated



### Rolling resistance

■ ■ ■ □ □ Good

### Operating noise

■ ■ ■ ■ □ Very good

### Floor surface preservation

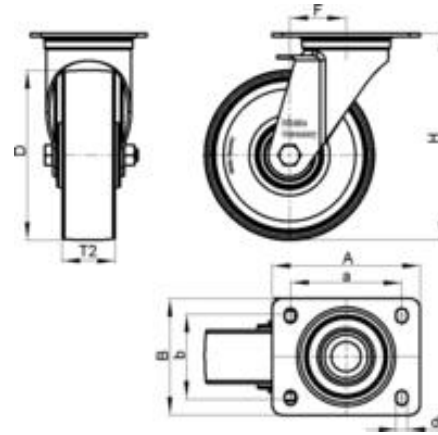
■ ■ ■ ■ □ Very good

# Product Data Sheet



## Technical data

Plate size		140 x 110
Bolt hole spacing		105 x 75-80
Bolt hole Ø		11
Wheel Ø		125 mm (D)
Tyre width		37,5 mm (T2)
Load capacity		120 kg
Total height		155 mm (H)
Offset swivel castor		48 mm
unit weight		1,6 kg
Temperature resistance to		-25 ° C
Temperature resistance to		80 ° C
tread and tyre hardness		65° Shore A
Bearing type		Roller bearing



# Product Data Sheet



## Variants



### LK-RD 125R-3-CS11

Pressed steel swivel castor, medium heavy duty brackets, with top plate fitting and central brake 'central-stop', Wheels with 'Blickle Comfort' two-component solid rubber tyres, with pressed steel rim



### LK-RD 125R-3-CS11-FA

Pressed steel swivel castor, medium heavy duty brackets, with top plate fitting and central brake 'central-stop', Wheels with 'Blickle Comfort' two-component solid rubber tyres, with pressed steel rim



### LK-RD 125R-3-CS11-VLI

Pressed steel swivel castor, medium heavy duty brackets, with top plate fitting and central brake 'central-stop', Wheels with 'Blickle Comfort' two-component solid rubber tyres, with pressed steel rim



### LK-RD 125R-3-CS11-VLI-FA

Pressed steel swivel castor, medium heavy duty brackets, with top plate fitting and central brake 'central-stop', Wheels with 'Blickle Comfort' two-component solid rubber tyres, with pressed steel rim



### LK-RD 125R-3-FA

Pressed steel swivel castor, medium heavy duty brackets, with top plate fitting, Wheels with 'Blickle Comfort' two-component solid rubber tyres, with pressed steel rim



### LK-RD 125R-3-FI

Pressed steel swivel castor, medium heavy duty brackets, with top plate fitting and 'stop-fix' brake, Wheels with 'Blickle Comfort' two-component solid rubber tyres, with pressed steel rim



### LK-RD 125R-3-FI-FA

Pressed steel swivel castor, medium heavy duty brackets, with top plate fitting and 'stop-fix' brake, Wheels with 'Blickle Comfort' two-component solid rubber tyres, with pressed steel rim



### LK-RD 125R-3-FI-VLI

Pressed steel swivel castor, medium heavy duty brackets, with top plate fitting and 'stop-fix' brake, Wheels with 'Blickle Comfort' two-component solid rubber tyres, with pressed steel rim



### LK-RD 125R-3-FI-VLI-FA

Pressed steel swivel castor, medium heavy duty brackets, with top plate fitting and 'stop-fix' brake, Wheels with 'Blickle Comfort' two-component solid rubber tyres, with pressed steel rim



### LK-RD 125R-3-ST

Pressed steel swivel castor, medium heavy duty brackets, with top plate fitting and 'stop-top' brake, Wheels with 'Blickle Comfort' two-component solid rubber tyres, with pressed steel rim

# Product Data Sheet



## Variants



### LK-RD 125R-3-ST-FA

Pressed steel swivel castor, medium heavy duty brackets, with top plate fitting and 'stop-top' brake, Wheels with 'Blickle Comfort' two-component solid rubber tyres, with pressed steel rim



### LK-RD 125R-3-ST-VLI

Pressed steel swivel castor, medium heavy duty brackets, with top plate fitting and 'stop-top' brake, Wheels with 'Blickle Comfort' two-component solid rubber tyres, with pressed steel rim



### LK-RD 125R-3-ST-VLI-FA

Pressed steel swivel castor, medium heavy duty brackets, with top plate fitting and 'stop-top' brake, Wheels with 'Blickle Comfort' two-component solid rubber tyres, with pressed steel rim



### LK-RD 125R-3-VLI

Pressed steel swivel castor, medium heavy duty brackets, with top plate fitting, Wheels with 'Blickle Comfort' two-component solid rubber tyres, with pressed steel rim



### LK-RD 125R-3-VLI-FA

Pressed steel swivel castor, medium heavy duty brackets, with top plate fitting, Wheels with 'Blickle Comfort' two-component solid rubber tyres, with pressed steel rim

## Option:



### RI-03.03

Directional lock