

Product Data Sheet



ALTH 125/15K

EAN 4047526265717

ID 265710

Heavy duty wheel with Blickle Extrathane® polyurethane tread, with aluminium wheel centre

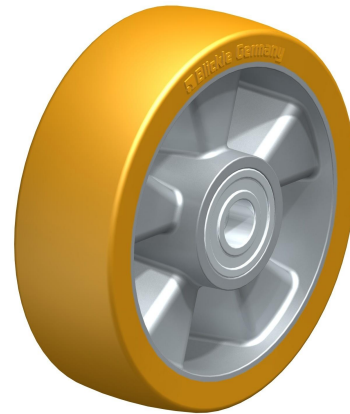
Wheels:

Made of high-quality, reaction-injected polyurethane-elastomer Blickle Extrathane®, low-noise operation, low rolling resistance, good floor preservation, very high abrasion resistance, high cut and tear propagation resistance, very good chemical connection with the wheel centre.

Tread colours: light brown

Wheel centre/rim: Made of die-cast aluminium. Casted tread.

Wheel centre colour: silver grey



Rolling resistance

■■■■□ Very good

Operating noise

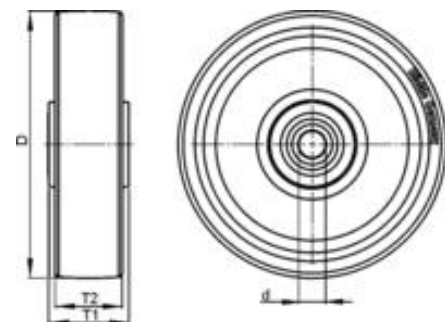
■■■■□ Good

Floor surface preservation

■■■■□ Good

Technical data

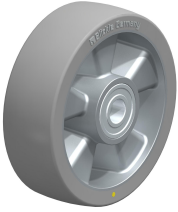
Wheel Ø		125 mm (D)
Wheel width		40 mm (T2)
Load capacity		350 kg
Axle bore Ø		15 mm (d)
Hub length		45 mm (T1)
unit weight		0,6 kg
Temperature resistance to		-25 ° C
Temperature resistance to		70 ° C
tread and tyre hardness		92° Shore A
Bearing type		Ball bearing



Product Data Sheet



Variants



ALTH 125/15K-AS

Heavy duty wheel with Blickle Extrathane® polyurethane tread, with aluminium wheel centre