

Product Data Sheet



LE-VE 125R

EAN 4047526275846

ID 275842

Pressed steel swivel castor with top plate fitting, Wheel with standard solid rubber tyres, with pressed steel rim

Bracket:

Made of pressed steel, with double ball bearing in the swivel head, ball protection by the special top plate and ball disc design. The special Blickle dynamic riveting process of the swivel head results in minimal swivel head play and smooth rolling characteristics with an increased service life achieved by the work hardening of the ball race grooves. Bolted wheel axle. Zinc-plated, blue-passivated, Cr6-free.

Wheels:

Made of standard solid rubber, very high operational comfort, low-noise operation, very good floor preservation, PAH conform acc. to EU directive 2005/69/EC.

Tread colours: black

Wheel centre/rim: Pressed steel rim, zinc-plated, blue-passivated, Cr6-free.

Wheel centre colour: blue passivated



Rolling resistance

■ ■ □ □ □ Satisfactory

Operating noise

■ ■ ■ ■ □ Very good

Floor surface preservation

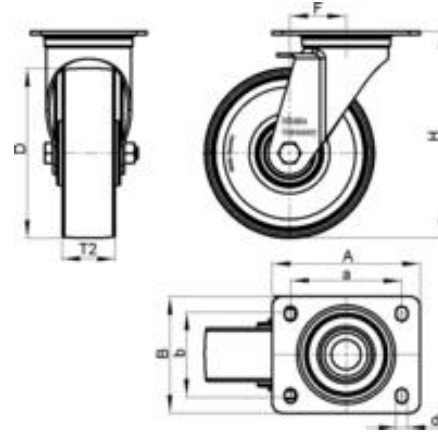
■ ■ ■ ■ □ Very good

Product Data Sheet



Technical data

Plate size		100 x 85
Bolt hole spacing		80 x 60
Bolt hole Ø		9
Wheel Ø		125 mm (D)
Tyre width		37,5 mm (T2)
Load capacity		100 kg
Total height		150 mm (H)
Offset swivel castor		40 mm
unit weight		1,1 kg
Temperature resistance to		-25 ° C
Temperature resistance to		80 ° C
tread and tyre hardness		80° Shore A
Bearing type		Roller bearing



Product Data Sheet



Variants



LE-VE 125R-EL

Pressed steel swivel castor with top plate fitting, Wheel with standard solid rubber tyres, with pressed steel rim



LE-VE 125R-EL-FA

Pressed steel swivel castor with top plate fitting, Wheel with standard solid rubber tyres, with pressed steel rim



LE-VE 125R-FA

Pressed steel swivel castor with top plate fitting, Wheel with standard solid rubber tyres, with pressed steel rim



LE-VE 125R-FI

Pressed steel swivel castor with top plate fitting and 'stop-fix' brake, Wheel with standard solid rubber tyres, with pressed steel rim



LE-VE 125R-FI-EL

Pressed steel swivel castor with top plate fitting and 'stop-fix' brake, Wheel with standard solid rubber tyres, with pressed steel rim



LE-VE 125R-FI-EL-FA

Pressed steel swivel castor with top plate fitting and 'stop-fix' brake, Wheel with standard solid rubber tyres, with pressed steel rim



LE-VE 125R-FI-FA

Pressed steel swivel castor with top plate fitting and 'stop-fix' brake, Wheel with standard solid rubber tyres, with pressed steel rim



LE-VE 125R-FI-SG

Pressed steel swivel castor with top plate fitting and 'stop-fix' brake, Wheel with standard solid rubber tyres, with pressed steel rim



LE-VE 125R-FI-SG-FA

Pressed steel swivel castor with top plate fitting and 'stop-fix' brake, Wheel with standard solid rubber tyres, with pressed steel rim



LE-VE 125R-SG

Pressed steel swivel castor with top plate fitting, Wheel with standard solid rubber tyres, with pressed steel rim

Product Data Sheet



Variants



LE-VE 125R-SG-FA

Pressed steel swivel castor with top plate fitting, Wheel with standard solid rubber tyres, with pressed steel rim

Option:



RI-03.01

Directional lock