

# Product Data Sheet



## LS-PS 430K

EAN 4047526293246

ID 293241

**Welded steel heavy duty swivel castor, strong swivel head design, Heavy duty wheel with pneumatic tyres**

### Bracket:

Particularly rugged welded steel construction, with axial grooved ball bearing DIN 711 and tapered roller bearing DIN 720 in the swivel head, dust and splash-proof, fitted grease nipple, bolted and secured with a welded very strong central kingpin. Bolted wheel axle. Zinc-plated, yellow-passivated, Cr6-free.

### Wheels:

Pneumatic tyre with tube, outstandingly high operational comfort, exceptionally high floor preservation, PAH conform acc. to EU directive 2005/69/EC.

**Tread colours:** black

### Wheel centre/rim:

Pressed steel rim, pressed and bolted, with welded tubular steel hub, zinc-plated, blue-passivated, Cr6-free.

**Wheel centre colour:** blue passivated



### Rolling resistance

■ ■ ■ □ □ Good

### Operating noise

■ ■ ■ ■ ■ Excellent

### Floor surface preservation

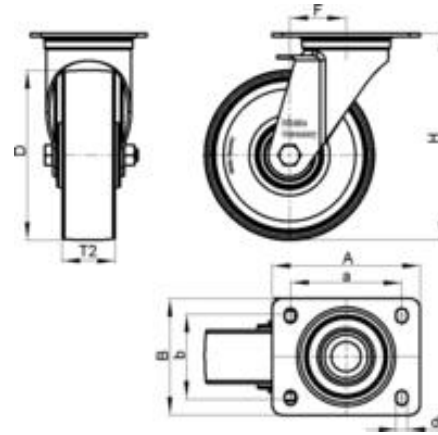
■ ■ ■ ■ ■ Excellent

# Product Data Sheet



## Technical data

Profile		Blockprofil
Plate size		200 x 160
Bolt hole spacing		160 x 120
Bolt hole Ø		14
Wheel Ø		420 mm (D)
Tyre width		115 mm (T2)
Load capacity		650 kg
Total height		480 mm (H)
Offset swivel castor		100 mm
Profile ribbed profile		B08
unit weight		17,6 kg
Temperature resistance to		-25 ° C
Temperature resistance to		50 ° C
tread and tyre hardness		65° Shore A
Bearing type		Ball bearing



# Product Data Sheet



## Variants



### LS-PS 430K-RI2

Welded steel heavy duty swivel castor, strong swivel head design, Heavy duty wheel with pneumatic tyres



### LS-PS 430K-RI4

Welded steel heavy duty swivel castor, strong swivel head design, Heavy duty wheel with pneumatic tyres