

Product Data Sheet



LE-PO 125G

EAN 4047526311803

ID 311803

Pressed steel swivel castor with top plate fitting, Nylon wheel

Bracket:

Made of pressed steel, with double ball bearing in the swivel head, ball protection by the special top plate and ball disc design. The special Blickle dynamic riveting process of the swivel head results in minimal swivel head play and smooth rolling characteristics with an increased service life achieved by the work hardening of the ball race grooves. Bolted wheel axle. Zinc-plated, blue-passivated, Cr6-free.

Wheels: Made of high-quality, impact-resistant nylon. **Tread colours:**

natural white

Wheel centre/rim: - Wheel centre colour: natural white



Rolling resistance

■■■■■ Excellent

Operating noise

■■□□□ Satisfactory

Floor surface preservation

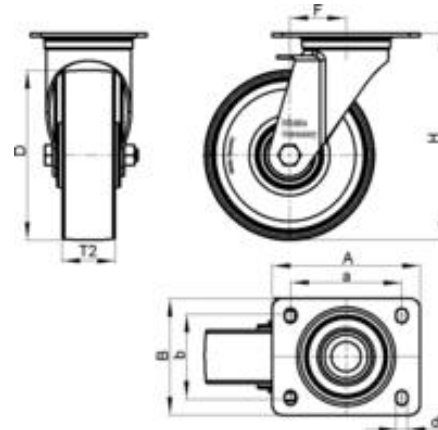
■■□□□ Satisfactory

Product Data Sheet



Technical data

Plate size		100 x 85
Bolt hole spacing		80 x 60
Bolt hole Ø		9
Wheel Ø		125 mm (D)
Wheel width		40 mm (T2)
Load capacity		150 kg
Total height		150 mm (H)
Offset swivel castor		40 mm
unit weight		0,7 kg
Temperature resistance to		-25 ° C
Temperature resistance to		80 ° C
tread and tyre hardness		70° Shore D
Bearing type		Plain bore



Product Data Sheet



Variants



LE-PO 125G-FA

Pressed steel swivel castor with top plate fitting, Nylon wheel



LE-PO 125G-FI

Pressed steel swivel castor with top plate fitting and 'stop-fix' brake, Nylon wheel



LE-PO 125G-FI-FA

Pressed steel swivel castor with top plate fitting and 'stop-fix' brake, Nylon wheel

Option:



RI-03.01

Directional lock