

# Product Data Sheet



## TPA 50/8G

EAN 4047526380038

ID 380030

### Wheel with thermoplastic rubber tread, with polypropylene wheel centre Wheels:

Made of high-quality thermoplastic rubber elastomer (TPE), high operational comfort, low-noise operation, low rolling and swivelling resistance, good floor preservation, chemically bonded for an inseparable connection to the wheel centre.

**Tread colours:** dark grey

#### Wheel centre/rim:

Made of high-quality, impact-resistant polypropylene. Chemically bonded.

**Wheel centre colour:** grey



#### Rolling resistance

■■■■□ Very good

#### Operating noise

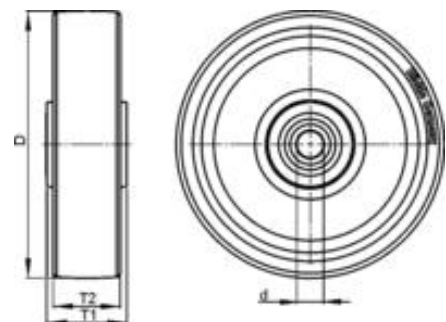
■■■■□ Good

#### Floor surface preservation

■■■■□ Good

### Technical data

Wheel Ø		50 mm (D)
Wheel width		19 mm (T2)
Load capacity		50 kg
Axle bore Ø		8 mm (d)
Hub length		22 mm (T1)
unit weight		0,2 kg
Temperature resistance to		-20 ° C
Temperature resistance to		60 ° C
tread and tyre hardness		85° Shore A
Bearing type		Plain bore



# Product Data Sheet



## Variants



### **TPA 50/8G-ELS**

Wheel with thermoplastic rubber tread,  
with polypropylene wheel centre