

Product Data Sheet



L-P 265R

EAN 4047526040499

ID 40493

Pressed steel swivel castor, medium heavy duty brackets, with top plate fitting, Wheel with pneumatic tyres, with pressed steel rim

Bracket:

Made of heavy pressed steel, with double ball bearing in the swivel head, strong central kingpin, swivel head seals. The special Blickle dynamic riveting process of the swivel head results in minimal swivel head play and smooth rolling characteristics with an increased service life achieved by the work hardening of the ball race grooves. Bolted wheel axle. Zinc-plated, blue-passivated, Cr6-free.

Wheels:

Pneumatic tyre with tube, outstandingly high operational comfort, exceptionally high floor preservation, PAH conform acc. to EU directive 2005/69/EC.

Tread colours: black

Wheel centre/rim:

Made of pressed steel, with tubular steel hub, zinc-plated, blue-passivated, Cr6-free. Tyre mounted on rim.

Wheel centre colour: silver



Rolling resistance

■ ■ ■ □ □ Good

Operating noise

■ ■ ■ ■ ■ Excellent

Floor surface preservation

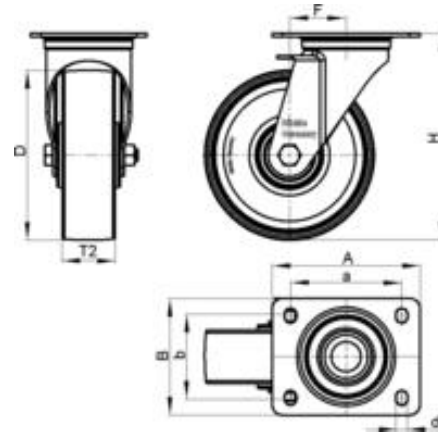
■ ■ ■ ■ ■ Excellent

Product Data Sheet



Technical data

Profile		Rillenprofil
Plate size		175 x 175
Bolt hole spacing		140 x 140
Bolt hole Ø		15
Wheel Ø		260 mm (D)
Tyre width		85 mm (T2)
Load capacity		250 kg
Total height		308 mm (H)
Offset swivel castor		78 mm
Profile ribbed profile		R01
unit weight		5,2 kg
Temperature resistance to		-25 ° C
Temperature resistance to		50 ° C
tread and tyre hardness		65° Shore A
Bearing type		Roller bearing



Product Data Sheet



Variants



L-P 265R-ST

Pressed steel swivel castor, medium heavy duty brackets, with top plate fitting and 'stop-top' brake, Wheel with pneumatic tyres, with pressed steel rim



L-P 265R-SG

Pressed steel swivel castor, medium heavy duty brackets, with top plate fitting, Wheel with pneumatic tyres, with pressed steel rim



L-P 265R-ST-SG

Pressed steel swivel castor, medium heavy duty brackets, with top plate fitting and 'stop-top' brake, Wheel with pneumatic tyres, with pressed steel rim