

Product Data Sheet



PO 125/12R

EAN 4047526419455

ID 419457

Nylon wheel

Wheels: Made of high-quality, impact-resistant nylon. **Tread colours:** natural white

Wheel centre/rim: - Wheel centre colour: natural white



Rolling resistance

■■■■■ Excellent

Operating noise

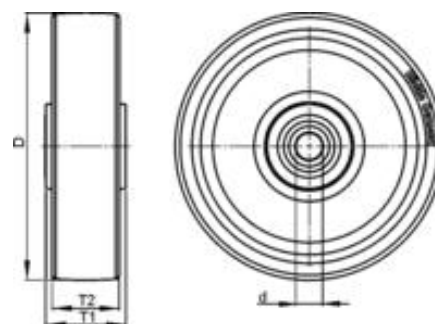
■■□□□ Satisfactory

Floor surface preservation

■■□□□ Satisfactory

Technical data

Wheel Ø		125 mm (D)
Wheel width		40 mm (T2)
Load capacity		300 kg
Axle bore Ø		12 mm (d)
Hub length		45 mm (T1)
unit weight		0,3 kg
Temperature resistance to		-25 ° C
Temperature resistance to		80 ° C
tread and tyre hardness		70° Shore D
Bearing type		Roller bearing



Product Data Sheet



Variants



PO 125/12XR

Nylon wheel