

# Product Data Sheet



## LHF-ALEV 200K

EAN 4047526450052

ID 450056

**Pressed steel swivel castor, heavy duty castors, with steel spring, Heavy duty wheel with elastic solid rubber tyres 'Blickle EasyRoll', with aluminium wheel centre**

### Bracket:

Made of heavy pressed steel, with heavy fork and top plate, very strong bolted and secured central kingpin, double ball bearing in the swivel head, additionally reinforced by the integration of four specially shaped and hardened bearing seats resulting in a very high resistance to shock and impact loads. Rugged hinged plate construction with maintenance-free steel spring mechanism. Bolted wheel axle. Zinc-plated, blue-passivated, Cr6-free.

### Wheels:

Made of high-quality elastic solid rubber, in smooth rolling quality "Blickle EasyRoll", very high operational comfort, low-noise operation, low rolling resistance, very good floor preservation, vulcanised on the wheel centre.

**Tread colours:** black

**Wheel centre/rim:** Made of die-cast aluminium. Vulcanised tyre.

**Wheel centre colour:** silver grey



### Rolling resistance

■■■■□ Very good

### Operating noise

■■■■□ Very good

### Floor surface preservation

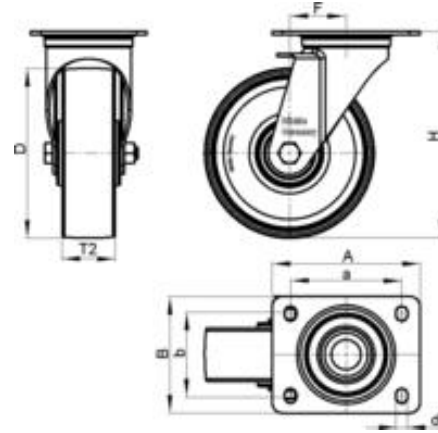
■■■■□ Very good

# Product Data Sheet



## Technical data

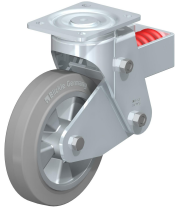
Plate size		140 x 110
Bolt hole spacing		105 x 75-80
Bolt hole Ø		11
Wheel Ø		200 mm (D)
Tyre width		50 mm (T2)
Load capacity		500 kg
Spring tension		400 kg
Initial tension		50 kg
Spring travel		25 mm
Total height		265 mm (H)
Offset swivel castor		65 mm
unit weight		8,1 kg
Temperature resistance to		-25 ° C
Temperature resistance to		80 ° C
tread and tyre hardness		65° Shore A
Bearing type		Ball bearing



# Product Data Sheet



## Variants



### **LHF-ALEV 200K-SG**

Pressed steel swivel castor, heavy duty castors, with steel spring, Heavy duty wheel with elastic solid rubber tyres 'Blickle EasyRoll', with aluminium wheel centre