

# Product Data Sheet



## LER-PO 100G

EAN 4047526457099

ID 457093

### Pressed steel swivel castor with bolt hole fitting, Nylon wheel

#### Bracket:

Made of pressed steel, with double ball bearing in the swivel head, strong central kingpin, ball protection by the special top plate and ball disc design. The special Blickle dynamic riveting process of the swivel head results in minimal swivel head play and smooth rolling characteristics with an increased service life achieved by the work hardening of the ball race grooves. Bolted wheel axle. Zinc-plated, blue-passivated, Cr6-free.

**Wheels:** Made of high-quality, impact-resistant nylon. **Tread colours:**

natural white

**Wheel centre/rim: - Wheel centre colour:** natural white



#### Rolling resistance

■■■■■ Excellent

#### Operating noise

■■□□□ Satisfactory

#### Floor surface preservation

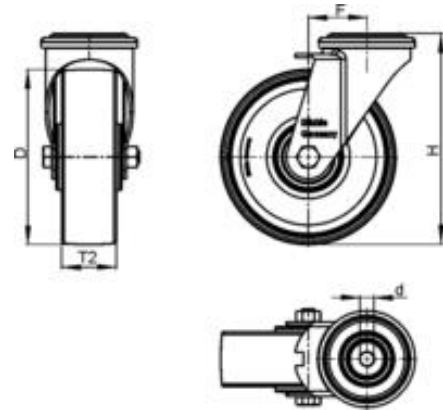
■■□□□ Satisfactory

# Product Data Sheet



## Technical data

Plate size		70
Bolt hole Ø		13
Wheel Ø		100 mm (D)
Wheel width		37 mm (T2)
Load capacity		150 kg
Total height		125 mm (H)
Offset swivel castor		36 mm
unit weight		0,5 kg
Temperature resistance to		-25 ° C
Temperature resistance to		80 ° C
tread and tyre hardness		70° Shore D
Bearing type		Plain bore



# Product Data Sheet



## Variants



### LER-PO 100G-FI

Pressed steel swivel castor with bolt hole fitting and 'stop-fix' brake, Nylon wheel



### LER-PO 100G-FA

Pressed steel swivel castor with bolt hole fitting, Nylon wheel



### LER-PO 100G-FI-FA

Pressed steel swivel castor with bolt hole fitting and 'stop-fix' brake, Nylon wheel