

Product Data Sheet



LK-SPO 150K

EAN 4047526047740

ID 47746

Pressed steel swivel castor, medium heavy duty brackets, with top plate fitting, Heavy duty nylon wheel

Bracket:

Made of heavy pressed steel, with double ball bearing in the swivel head, strong central kingpin, swivel head seals. The special Blickle dynamic riveting process of the swivel head results in minimal swivel head play and smooth rolling characteristics with an increased service life achieved by the work hardening of the ball race grooves. Bolted wheel axle. Zinc-plated, blue-passivated, Cr6-free.

Wheels:

Made of high-quality, impact-resistant nylon, very rugged, heavy wheel design, very low rolling and swivelling resistance, smooth running performance on even floors, very high abrasion resistance.

Tread colours: natural white

Wheel centre/rim: - Wheel centre colour: natural white



Rolling resistance

■■■■■ Excellent

Operating noise

■■□□□ Satisfactory





Floor surface preservation

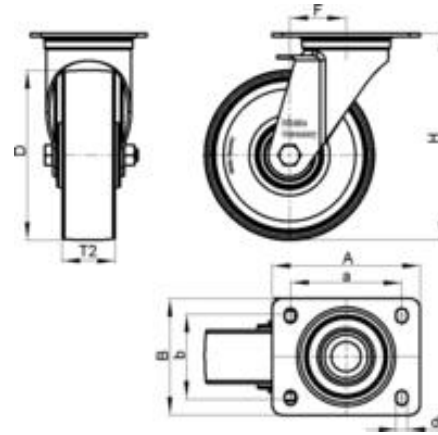
■■□□□ Satisfactory

Product Data Sheet



Technical data

Plate size		140 x 110
Bolt hole spacing		105 x 75-80
Bolt hole Ø		11
Wheel Ø		150 mm (D)
Wheel width		50 mm (T2)
Load capacity		600 kg
Total height		197 mm (H)
Offset swivel castor		63 mm
unit weight		2,8 kg
Temperature resistance to		-25 ° C
Temperature resistance to		80 ° C
tread and tyre hardness		70° Shore D
Bearing type		Ball bearing



Product Data Sheet



Variants



LK-SPO 150K-FA

Pressed steel swivel castor, medium heavy duty brackets, with top plate fitting, Heavy duty nylon wheel



LK-SPO 150K-FI

Pressed steel swivel castor, medium heavy duty brackets, with top plate fitting and 'stop-fix' brake, Heavy duty nylon wheel



LK-SPO 150K-FI-FA

Pressed steel swivel castor, medium heavy duty brackets, with top plate fitting and 'stop-fix' brake, Heavy duty nylon wheel



LK-SPO 150K-ST

Pressed steel swivel castor, medium heavy duty brackets, with top plate fitting and 'stop-top' brake, Heavy duty nylon wheel



LK-SPO 150K-ST-FA

Pressed steel swivel castor, medium heavy duty brackets, with top plate fitting and 'stop-top' brake, Heavy duty nylon wheel

Option:



RI-05.03

Directional lock