

Product Data Sheet



PO 125/10K

EAN 4047526545109

ID 545103

Nylon wheel

Wheels: Made of high-quality, impact-resistant nylon. **Tread colours:** natural white

Wheel centre/rim: - Wheel centre colour: natural white



Rolling resistance

■■■■■ Excellent

Operating noise

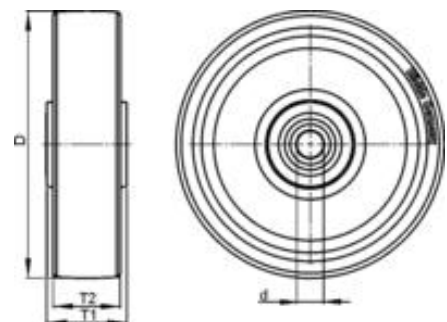
■■□□□ Satisfactory

Floor surface preservation

■■□□□ Satisfactory

Technical data

Wheel Ø		125 mm (D)
Wheel width		40 mm (T2)
Load capacity		300 kg
Axle bore Ø		10 mm (d)
Hub length		46 mm (T1)
unit weight		0,3 kg
Temperature resistance to		-25 ° C
Temperature resistance to		80 ° C
tread and tyre hardness		70° Shore D
Bearing type		Ball bearing



Product Data Sheet



Variants



PO 125/10KD

Nylon wheel