

Product Data Sheet



TPA 50/6K-FK

EAN 4047526558871

ID 558874

Wheel with thermoplastic rubber tread, with polypropylene wheel centre Wheels:

Made of high-quality thermoplastic rubber elastomer (TPE), high operational comfort, low-noise operation, low rolling and swivelling resistance, good floor preservation, chemically bonded for an inseparable connection to the wheel centre.

Tread colours: dark grey

Wheel centre/rim:

Made of high-quality, impact-resistant polypropylene. Chemically bonded.

Wheel centre colour: grey



Rolling resistance

■■■■□ Very good

Operating noise

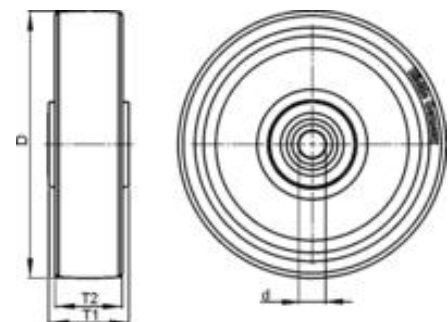
■■■■□ Good

Floor surface preservation

■■■■□ Good

Technical data

Wheel Ø		50 mm (D)
Wheel width		19 mm (T2)
Load capacity		50 kg
Axle bore Ø		6 mm (d)
Hub length		23 mm (T1)
Temperature resistance to		-20 ° C
Temperature resistance to		60 ° C
tread and tyre hardness		85° Shore A
Bearing type		Ball bearing



Product Data Sheet



Variants



TPA 50/6KD-FK

Wheel with thermoplastic rubber tread,
with polypropylene wheel centre



TPA 50/6K-ELS-FK

Wheel with thermoplastic rubber tread,
with polypropylene wheel centre



TPA 50/6KD-ELS-FK

Wheel with thermoplastic rubber tread,
with polypropylene wheel centre