

# Product Data Sheet



## LH-SETH 200K-FI

EAN 4047526562878

ID 562876

**Pressed steel swivel castor, heavy duty castors, with top plate fitting and 'stop-fix' brake, Heavy duty wheel with Blickle Extrathane® polyurethane tread, with welded steel wheel centre**

### Bracket:

Made of heavy pressed steel, with heavy fork and top plate, very strong bolted and secured central kingpin, double ball bearing in the swivel head, additionally reinforced by the integration of four specially shaped and hardened bearing seats resulting in a very high resistance to shock and impact loads. Bolted wheel axle. Bolted wheel axle. Zinc-plated, blue-passivated, Cr6-free.

### Wheels:

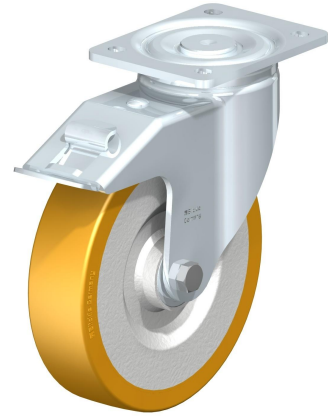
Made of high-quality, reaction-injected polyurethane-elastomer Blickle Extrathane®, low-noise operation, low rolling resistance, good floor preservation, very high abrasion resistance, high cut and tear propagation resistance, very good chemical connection with the wheel centre.

**Tread colours:** light brown

### Wheel centre/rim:

Pressed thick-walled steel, triple-welded, with tubular steel hub, lacquered. Casted tread.

**Wheel centre colour:** silver grey



### Rolling resistance

■■■■□ Very good

### Operating noise

■■■■□ Good

### Floor surface preservation

■■■■□ Good

# Product Data Sheet



## Technical data

Plate size		140 x 110
Bolt hole spacing		105 x 75-80
Bolt hole Ø		11
Wheel Ø		200 mm (D)
Wheel width		50 mm (T2)
Load capacity		900 kg
Total height		245 mm (H)
Offset swivel castor		70 mm
unit weight		5,8 kg
Temperature resistance to		-25 ° C
Temperature resistance to		70 ° C
tread and tyre hardness		92° Shore A
Bearing type		Ball bearing

