

Product Data Sheet



LPA-VSTH 35K

EAN 4047526603175

ID 603175

Light duty swivel castor with top plate fitting, Heavy duty wheel with Blickle Extrathane® polyurethane tread, with steel wheel centre

Bracket:

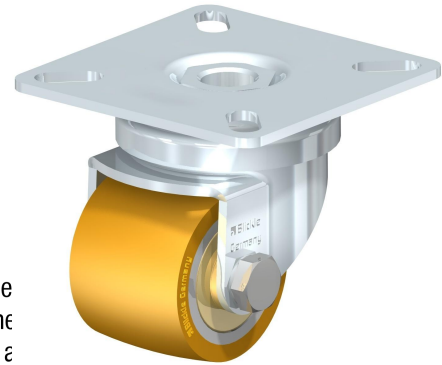
Made of pressed steel, with double ball bearing in the swivel head, ball protection by the special top plate and ball disc design. The special Blickle dynamic riveting process of the swivel head results in minimal swivel head play and smooth rolling characteristics with an increased service life achieved by the work hardening of the ball race grooves. Bolted wheel axle. Zinc-plated, blue-passivated, Cr6-free.

Wheels:

Made of high-quality, reaction-injected polyurethane-elastomer Blickle Extrathane®, low-noise operation, low rolling resistance, good floor preservation, very high abrasion resistance, high cut and tear propagation resistance, very good chemical connection with the wheel centre.

Tread colours: light brown

Wheel centre/rim: Made of steel. Casted tread. **Wheel centre colour:** silver



Rolling resistance

■■■■■□ Very good

Operating noise

■■■■□□ Good

Floor surface preservation

■■■■□□ Good

Product Data Sheet



Technical data

Plate size		60 x 60
Bolt hole spacing		38x38/48x48
Bolt hole Ø		6,2
Wheel Ø		35 mm (D)
Wheel width		27 mm (T2)
Load capacity		100 kg
Total height		52 mm (H)
Offset swivel castor		15 mm
unit weight		0,3 kg
Temperature resistance to		-25 ° C
Temperature resistance to		70 ° C
tread and tyre hardness		92° Shore A
Bearing type		Ball bearing

