

# Product Data Sheet



## LI-VKHT 100G

EAN 4047526603281

ID 603282

**Heat-resistant pressed steel swivel castor with top plate fitting, Heat-resistant Blickle TempLine® Special wheel with solid rubber tyres, with synthetic rim**

### Bracket:

Made of pressed steel, with double ball bearing in the swivel head, strong central kingpin, ball protection by the special top plate design. The special Blickle dynamic riveting process of the swivel head results in smooth rolling characteristics, increased service life and the swivel head play is set specifically for high temperature applications, with special heat-resistant grease, Teflon-coated stainless steel axle tube. Bolted wheel axle. Zinc-plated, blue-passivated, Cr6-free.

### Wheels:

Made of heat-resistant solid rubber, low-noise operation, good floor preservation, high tear resistance, PAH conform acc. to EU directive 2005/69/EC.

**Tread colours:** black

### Wheel centre/rim:

Made of high-quality, impact-resistant nylon. Heat-resistant. Pressed-on tyre.

**Wheel centre colour:** black



### Rolling resistance

■ ■ ■ □ □ Good

### Operating noise

■ ■ ■ □ □ Good

### Floor surface preservation

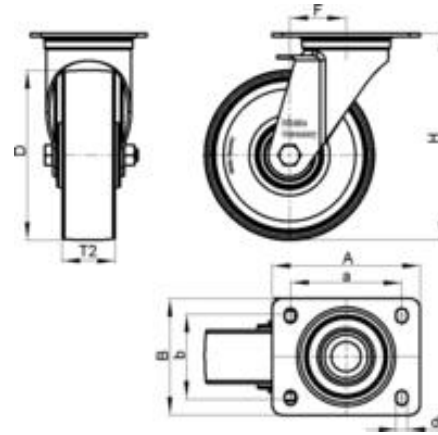
■ ■ ■ □ □ Good

# Product Data Sheet



## Technical data

Plate size		100 x 85
Bolt hole spacing		80 x 60
Bolt hole Ø		9
Wheel Ø		100 mm (D)
Tyre width		30 mm (T2)
Load capacity		100 kg
Total height		125 mm (H)
Offset swivel castor		36 mm
unit weight		0,7 kg
Temperature resistance to		-30 ° C
Temperature resistance to		260 ° C
tread and tyre hardness		85° Shore A
Bearing type		Plain bore



## Product Data Sheet



### Variants



#### **LI-VKHT 100G-FI**

Heat-resistant pressed steel swivel castor with top plate fitting and 'stop-fix' brake, Heat-resistant Blickle TempLine® Special wheel with solid rubber tyres, with synthetic rim