

# Product Data Sheet



## LK-ALST 100K-1

**EAN** 4047526607296

**ID** 607291

**Pressed steel swivel castor, medium heavy duty brackets, with top plate fitting, Heavy duty wheel with Blickle Softhane® polyurethane tread, with aluminium wheel centre**

### Bracket:

Made of heavy pressed steel, swivel bracket with double ball bearing in the swivel head, swivel head seals. The special Blickle dynamic riveting process of the swivel head results in minimal swivel head play and smooth rolling characteristics with an increased service life achieved by the work hardening of the ball race grooves. Bolted wheel axle. Zinc-plated, blue-passivated, Cr6-free.

### Wheels:

Made of high-quality, reaction-injected polyurethane-elastomer Blickle Softhane®, very high operational comfort through the especially thick, elastic tread, low-noise operation, low rolling resistance, very good floor preservation, very high abrasion resistance, high cut and tear propagation resistance, very good chemical connection with the wheel centre.

**Tread colours:** green

**Wheel centre/rim:** Made of die-cast aluminium. Casted tread.

**Wheel centre colour:** silver grey



### Rolling resistance

■ ■ ■ ■ □ Very good

### Operating noise

■ ■ ■ ■ □ Very good


### Floor surface preservation

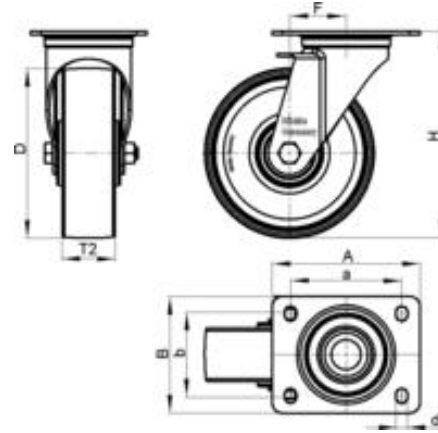
■ ■ ■ ■ □ Very good

# Product Data Sheet



## Technical data

Plate size		100 x 85
Bolt hole spacing		80 x 60
Bolt hole Ø		9
Wheel Ø		100 mm (D)
Wheel width		40 mm (T2)
Load capacity		300 kg
Total height		130 mm (H)
Offset swivel castor		45 mm
unit weight		1,2 kg
Temperature resistance to		-25 ° C
Temperature resistance to		70 ° C
tread and tyre hardness		75° Shore A
Bearing type		Ball bearing



# Product Data Sheet

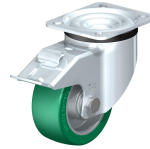


## Variants



### LK-ALST 100K-1-CS11

Pressed steel swivel castor, medium heavy duty brackets, with top plate fitting and central brake 'central-stop', Heavy duty wheel with Blickle Softhane® polyurethane tread, with aluminium wheel centre



### LK-ALST 100K-1-FI

Pressed steel swivel castor, medium heavy duty brackets, with top plate fitting and 'stop-fix' brake, Heavy duty wheel with Blickle Softhane® polyurethane tread, with aluminium wheel centre



### LK-ALST 100K-1-ST

Pressed steel swivel castor, medium heavy duty brackets, with top plate fitting and 'stop-top' brake, Heavy duty wheel with Blickle Softhane® polyurethane tread, with aluminium wheel centre

## Option:



### RI-05.01

Directional lock