

# Product Data Sheet



## L-ALEV 150K-FI-SG

EAN 4047526615611

ID 615617

**Pressed steel swivel castor, medium heavy duty brackets, with top plate fitting and 'stop-fix' brake, Heavy duty wheel with elastic solid rubber tyres 'Blickle EasyRoll', with aluminium wheel centre, non-marking**

### Bracket:

Made of heavy pressed steel, with double ball bearing in the swivel head, strong central kingpin, swivel head seals. The special Blickle dynamic riveting process of the swivel head results in minimal swivel head play and smooth rolling characteristics with an increased service life achieved by the work hardening of the ball race grooves. Bolted wheel axle. Zinc-plated, blue-passivated, Cr6-free.

### Wheels:

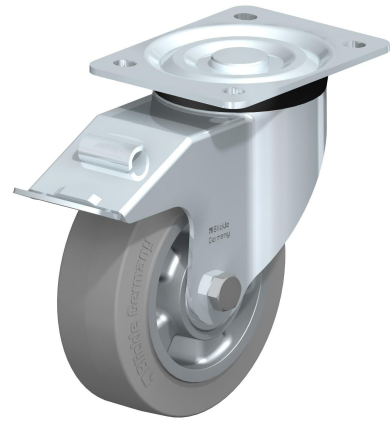
Made of high-quality elastic solid rubber, in smooth rolling quality "Blickle EasyRoll", very high operational comfort, low-noise operation, low rolling resistance, very good floor preservation, vulcanised on the wheel centre.

**Tread colours:** grey

**Wheel centre/rim:** Made of die-cast aluminium. Vulcanised tyre.

**Wheel centre colour:** silver grey

**Variant:** non-marking



### Rolling resistance

■■■■□ Very good

### Operating noise

■■■■□ Very good

### Floor surface preservation

■■■■□ Very good

# Product Data Sheet



## Technical data

Plate size		140 x 110
Bolt hole spacing		105 x 75-80
Bolt hole Ø		11
Wheel Ø		150 mm (D)
Wheel width		50 mm (T2)
Load capacity		400 kg
Total height		190 mm (H)
Offset swivel castor		60 mm
unit weight		3,2 kg
Temperature resistance to		-25 ° C
Temperature resistance to		80 ° C
tread and tyre hardness		65° Shore A
Bearing type		Ball bearing

