

# Product Data Sheet



## ALST 150/20K

EAN 4047526659967

ID 659961

**Heavy duty wheel with Blickle Softhane® polyurethane tread, with aluminium wheel centre**

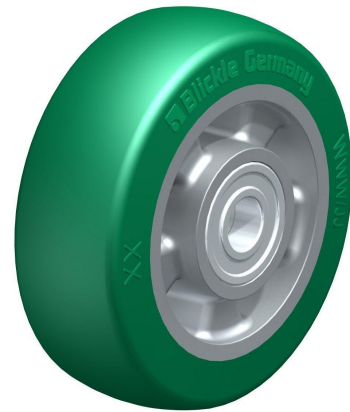
### Wheels:

Made of high-quality, reaction-injected polyurethane-elastomer Blickle Softhane®, very high operational comfort through the especially thick, elastic tread, low-noise operation, low rolling resistance, very good floor preservation, very high abrasion resistance, high cut and tear propagation resistance, very good chemical connection with the wheel centre.

**Tread colours:** green

**Wheel centre/rim:** Made of die-cast aluminium. Casted tread.

**Wheel centre colour:** silver grey



### Rolling resistance

■■■■□ Very good

### Operating noise

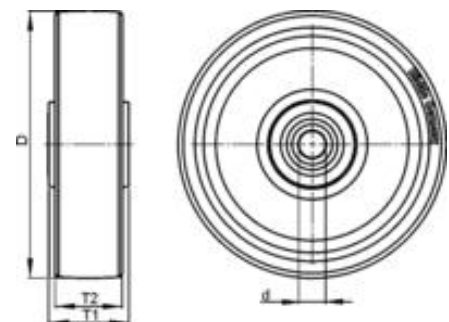
■■■■□ Very good

### Floor surface preservation

■■■■□ Very good

### Technical data

Wheel Ø		150 mm (D)
Wheel width		50 mm (T2)
Load capacity		500 kg
Axle bore Ø		20 mm (d)
Hub length		60 mm (T1)
unit weight		1,3 kg
Temperature resistance to		-25 ° C
Temperature resistance to		70 ° C
tread and tyre hardness		75° Shore A
Bearing type		Ball bearing



# Product Data Sheet



## Variants

### **ALST 150/20K-C0**

Heavy duty wheel with Blickle Softhane® polyurethane tread, with aluminium wheel centre