

Product Data Sheet



L-POEV 100K-SB

EAN 4047526671549

ID 671545

Pressed steel swivel castor, medium heavy duty brackets, with top plate fitting, Heavy duty wheel with elastic solid rubber tyres 'Blickle EasyRoll', with nylon wheel centre, non-marking

Bracket:

Made of pressed steel, with double ball bearing in the swivel head, ball protection by the special top plate and ball disc design. The special Blickle dynamic riveting process of the swivel head results in minimal swivel head play and smooth rolling characteristics with an increased service life achieved by the work hardening of the ball race grooves. Bolted wheel axle. Zinc-plated, blue-passivated, Cr6-free.

Wheels:

Made of high-quality elastic solid rubber, in smooth rolling quality "Blickle EasyRoll", very high operational comfort, low-noise operation, low rolling resistance, very good floor preservation, vulcanised on the wheel centre.

Tread colours: blue

Wheel centre/rim:

Made of high-quality, impact-resistant nylon. Vulcanised tyre.

Wheel centre colour: black

Variant: non-marking



Rolling resistance

■■■■□ Very good

Operating noise

■■■■□ Very good

Floor surface preservation

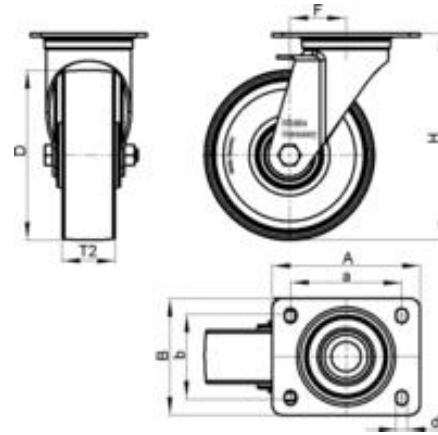
■■■■□ Very good

Product Data Sheet



Technical data

| | | |
|---------------------------|--|--------------|
| Plate size | | 100 x 85 |
| Bolt hole spacing | | 80 x 60 |
| Bolt hole Ø | | 9 |
| Wheel Ø | | 100 mm (D) |
| Wheel width | | 38 mm (T2) |
| Load capacity | | 200 kg |
| Total height | | 125 mm (H) |
| Offset swivel castor | | 36 mm |
| unit weight | | 0,8 kg |
| Temperature resistance to | | -25 ° C |
| Temperature resistance to | | 80 ° C |
| tread and tyre hardness | | 65° Shore A |
| Bearing type | | Ball bearing |



Product Data Sheet



Option:



RI-03.01

Directional lock