

Product Data Sheet



LH-GSP0 80K-FI

EAN 4047526678401

ID 678409

Pressed steel swivel castor, heavy duty castors, with top plate fitting and 'stop-fix brake, Heavy duty wheels made of cast nylon

Bracket:

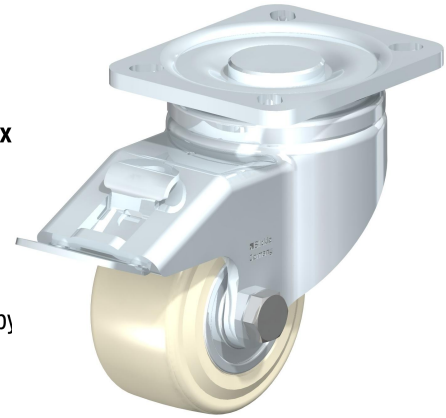
Made of heavy pressed steel, with heavy fork and top plate, very strong bolted and secured central kingpin, double ball bearing in the swivel head, additionally reinforced by the integration of four specially shaped and hardened bearing seats resulting in a very high resistance to shock and impact loads. Bolted wheel axle. Bolted wheel axle. Zinc-plated, blue-passivated, Cr6-free.

Wheels:

Made of high-quality, impact-resistant, hard and tough, highly compressed cast nylon with outstanding load capacity, very low rolling and swivelling resistance, smooth running performance on even floors, very high abrasion resistance.

Tread colours: natural beige

Wheel centre/rim: - **Wheel centre colour:** natural beige



Rolling resistance

■■■■■ Excellent

Operating noise

■■□□□ Satisfactory

Floor surface preservation

■■□□□ Satisfactory

Product Data Sheet



Technical data

Plate size		100 x 85
Bolt hole spacing		80 x 60
Bolt hole Ø		9
Wheel Ø		80 mm (D)
Wheel width		40 mm (T2)
Load capacity		700 kg
Total height		120 mm (H)
Offset swivel castor		45 mm
unit weight		2 kg
Temperature resistance to		-25 ° C
Temperature resistance to		80 ° C
tread and tyre hardness		80° Shore D
Bearing type		Ball bearing

