

Product Data Sheet



LWK-TPA 101K-FK

EAN 4047526061081

ID 744022

Synthetic swivel castor Blickle WAVE with bolt hole fitting, Wheel with thermoplastic rubber tread, with polypropylene wheel centre

Bracket:

Made of high-quality, impact-resistant and reinforced nylon, with encapsulated, double-sealed grooved ball bearing in the swivel head, with bolt hole fitting. Modern, shapely design.

Wheels:

Made of high-quality thermoplastic rubber elastomer (TPE), high operational comfort, low-noise operation, low rolling and swivelling resistance, good floor preservation, chemically bonded for an inseparable connection to the wheel centre.

Tread colours: grey

Wheel centre/rim:

Made of high-quality, impact-resistant polypropylene. Chemically bonded.

Wheel centre colour: grey



Rolling resistance

■■■■□ Very good

Operating noise

■■■■□ Good

Floor surface preservation

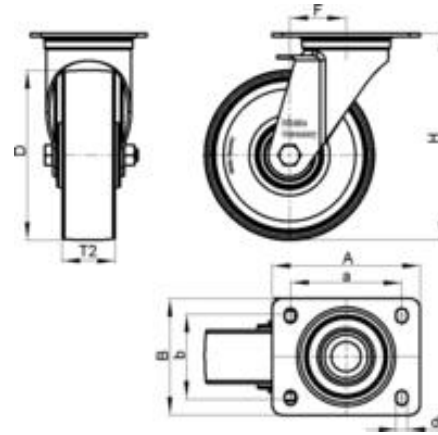
■■■■□ Good

Product Data Sheet



Technical data

Plate size		55
Bolt hole Ø		13
Wheel Ø		100 mm (D)
Wheel width		32 mm (T2)
Load capacity		100 kg
Total height		135 mm (H)
Stem Ø		mm
Stem length		mm
Ø retaining hole		Bild nicht gefunden.
Position retaining hole		mm (H)
Offset swivel castor		38 mm
unit weight		0,4 kg
Temperature resistance to		-20 ° C
Temperature resistance to		60 ° C
tread and tyre hardness		85° Shore A
Bearing type		Ball bearing



Product Data Sheet



Variants



LWK-TPA 101K-CS11-FK

Synthetic swivel castor Blickle WAVE with bolt hole fitting and 'central-stop', Wheel with thermoplastic rubber tread, with polypropylene wheel centre



LWK-TPA 101K-FI-FK

Synthetic swivel castor Blickle WAVE with bolt hole fitting and 'stop-fix' brake, Wheel with thermoplastic rubber tread, with polypropylene wheel centre



LWK-TPA 101K-FI-FK-GS10

Synthetic swivel castors Blickle WAVE, with zinc-plated steel threaded pin, with 'stop-fix' brake, Wheel with thermoplastic rubber tread, with polypropylene wheel centre



LWK-TPA 101K-FI-FK-GS12

Synthetic swivel castors Blickle WAVE, with zinc-plated steel threaded pin, with 'stop-fix' brake, Wheel with thermoplastic rubber tread, with polypropylene wheel centre



LWK-TPA 101K-FI-FK-P25

Synthetic swivel castor Blickle WAVE with top plate fitting and 'stop-fix' brake, Wheel with thermoplastic rubber tread, with polypropylene wheel centre



LWK-TPA 101K-FI-FK-ZA51

Synthetic swivel castor Blickle WAVE with stem fitting and 'stop-fix' brake, Wheel with thermoplastic rubber tread, with polypropylene wheel centre



LWK-TPA 101K-FI-FK-ZA55

Synthetic swivel castor Blickle WAVE with stem fitting and 'stop-fix' brake, Wheel with thermoplastic rubber tread, with polypropylene wheel centre



LWK-TPA 101K-FI-FK-ZA58

Synthetic swivel castor Blickle WAVE with stem fitting and 'stop-fix' brake, Wheel with thermoplastic rubber tread, with polypropylene wheel centre



LWK-TPA 101K-FK-GS10

Synthetic swivel castor Blickle WAVE with threaded pin, Wheel with thermoplastic rubber tread, with polypropylene wheel centre



LWK-TPA 101K-FK-GS12

Synthetic swivel castor Blickle WAVE with threaded pin, Wheel with thermoplastic rubber tread, with polypropylene wheel centre

Product Data Sheet



Variants



LWK-TPA 101K-FK-P25

Synthetic swivel castor Blickle WAVE with top plate fitting, Wheel with thermoplastic rubber tread, with polypropylene wheel centre



LWK-TPA 101K-FK-ZA51

Synthetic swivel castor Blickle WAVE with stem fitting, Wheel with thermoplastic rubber tread, with polypropylene wheel centre



LWK-TPA 101K-FK-ZA55

Synthetic swivel castor Blickle WAVE with stem fitting, Wheel with thermoplastic rubber tread, with polypropylene wheel centre



LWK-TPA 101K-FK-ZA58

Synthetic swivel castor Blickle WAVE with stem fitting, Wheel with thermoplastic rubber tread, with polypropylene wheel centre



LWKE-TPA 101K-CS11-ELS-FK

Synthetic swivel castor Blickle WAVE with bolt hole fitting and 'central-stop', Wheel with thermoplastic rubber tread, with polypropylene wheel centre



LWKE-TPA 101K-ELS-FK

Synthetic swivel castor Blickle WAVE with bolt hole fitting, Wheel with thermoplastic rubber tread, with polypropylene wheel centre



LWKE-TPA 101K-ELS-FK-GS10

Synthetic swivel castor Blickle WAVE with threaded pin, Wheel with thermoplastic rubber tread, with polypropylene wheel centre



LWKE-TPA 101K-ELS-FK-GS12

Synthetic swivel castor Blickle WAVE with threaded pin, Wheel with thermoplastic rubber tread, with polypropylene wheel centre



LWKE-TPA 101K-ELS-FK-P25

Synthetic swivel castor Blickle WAVE with top plate fitting, Wheel with thermoplastic rubber tread, with polypropylene wheel centre



LWKE-TPA 101K-ELS-FK-ZA51

Synthetic swivel castor Blickle WAVE with stem fitting, Wheel with thermoplastic rubber tread, with polypropylene wheel centre

Product Data Sheet



Variants



LWKE-TPA 101K-ELS-FK-ZA55

Synthetic swivel castor Blickle WAVE with stem fitting, Wheel with thermoplastic rubber tread, with polypropylene wheel centre



LWKE-TPA 101K-ELS-FK-ZA58

Synthetic swivel castor Blickle WAVE with stem fitting, Wheel with thermoplastic rubber tread, with polypropylene wheel centre



LWKE-TPA 101K-FI-ELS-FK

Synthetic swivel castor Blickle WAVE with bolt hole fitting and 'stop-fix' brake, Wheel with thermoplastic rubber tread, with polypropylene wheel centre



LWKE-TPA 101K-FI-ELS-FK-GS10

Synthetic swivel castors Blickle WAVE, with zinc-plated steel threaded pin, with 'stop-fix' brake, Wheel with thermoplastic rubber tread, with polypropylene wheel centre



LWKE-TPA 101K-FI-ELS-FK-GS12

Synthetic swivel castors Blickle WAVE, with zinc-plated steel threaded pin, with 'stop-fix' brake, Wheel with thermoplastic rubber tread, with polypropylene wheel centre



LWKE-TPA 101K-FI-ELS-FK-P25

Synthetic swivel castor Blickle WAVE with top plate fitting and 'stop-fix' brake, Wheel with thermoplastic rubber tread, with polypropylene wheel centre



LWKE-TPA 101K-FI-ELS-FK-ZA51

Synthetic swivel castor Blickle WAVE with stem fitting and 'stop-fix' brake, Wheel with thermoplastic rubber tread, with polypropylene wheel centre



LWKE-TPA 101K-FI-ELS-FK-ZA55

Synthetic swivel castor Blickle WAVE with stem fitting and 'stop-fix' brake, Wheel with thermoplastic rubber tread, with polypropylene wheel centre



LWKE-TPA 101K-FI-ELS-FK-ZA58

Synthetic swivel castor Blickle WAVE with stem fitting and 'stop-fix' brake, Wheel with thermoplastic rubber tread, with polypropylene wheel centre