

Product Data Sheet



GSP0 50/15K

EAN 4047526110505

ID 745213

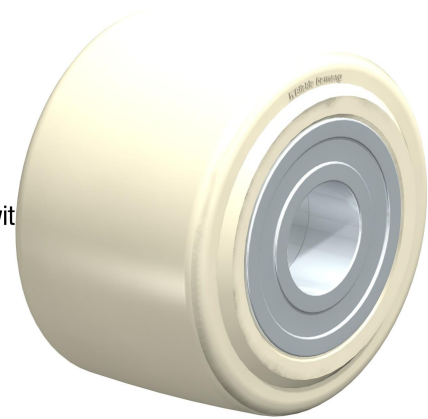
Heavy duty wheels made of cast nylon

Wheels:

Made of high-quality, impact-resistant, hard and tough, highly compressed cast nylon with outstanding load capacity, very low rolling and swivelling resistance, smooth running performance on even floors, very high abrasion resistance.

Tread colours: natural beige

Wheel centre/rim: - Wheel centre colour: natural beige



Rolling resistance

■■■■■ Excellent

Operating noise

■■□□□ Satisfactory

Floor surface preservation

■■□□□ Satisfactory

Technical data

Wheel Ø		50 mm (D)
Wheel width		32 mm (T2)
Load capacity		250 kg
Axle bore Ø		15 mm (d)
Hub length		35 mm (T1)
unit weight		0,1 kg
Temperature resistance to		-25 ° C
Temperature resistance to		80 ° C
tread and tyre hardness		80° Shore D
Bearing type		Ball bearing

