

# Product Data Sheet



## LH-ALBS 150K

EAN 4047526076061

ID 746414

**Pressed steel swivel castor, heavy duty castors, with top plate fitting, Heavy duty wheel with Blickle Besthane® Soft polyurethane tread, with aluminium wheel centre**

### Bracket:

Made of heavy pressed steel, with heavy fork and top plate, very strong bolted and secured central kingpin, double ball bearing in the swivel head, additionally reinforced by the integration of four specially shaped and hardened bearing seats resulting in a very high resistance to shock and impact loads. Bolted wheel axle. Bolted wheel axle. Zinc-plated, blue-passivated, Cr6-free.

### Wheels:

Made of high-quality, reaction-injected polyurethane-elastomer Blickle Besthane® Soft, very high operational comfort through the especially thick, elastic tread, low-noise operation, very low rolling resistance, high dynamic load capacity, very good floor preservation, very high abrasion resistance, high cut and tear propagation resistance, very good chemical connection with the wheel centre.

**Tread colours:** blue

**Wheel centre/rim:** Made of die-cast aluminium. Casted tread.

**Wheel centre colour:** silver grey



### Rolling resistance

■■■■■ Excellent

### Operating noise

■■■■□ Very good

### Floor surface preservation

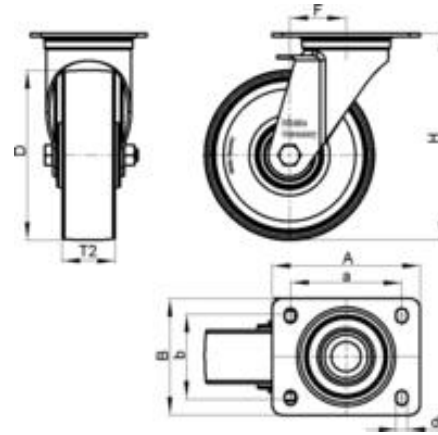
■■■■□ Very good

# Product Data Sheet



## Technical data

|                           |  |              |
|---------------------------|--|--------------|
| Plate size                |  | 140 x 110    |
| Bolt hole spacing         |  | 105 x 75-80  |
| Bolt hole Ø               |  | 11           |
| Wheel Ø                   |  | 150 mm (D)   |
| Wheel width               |  | 50 mm (T2)   |
| Load capacity             |  | 500 kg       |
| Total height              |  | 197 mm (H)   |
| Offset swivel castor      |  | 65 mm        |
| unit weight               |  | kg           |
| Temperature resistance to |  | -25 ° C      |
| Temperature resistance to |  | 70 ° C       |
| tread and tyre hardness   |  | 75° Shore A  |
| Bearing type              |  | Ball bearing |



# Product Data Sheet



## Variants



### LH-ALBS 150K-FI

Pressed steel swivel castor, heavy duty castors, with top plate fitting and 'stop-fix' brake, Heavy duty wheel with Blickle Besthane® Soft polyurethane tread, with aluminium wheel centre



### LH-ALBS 150K-ST

Pressed steel swivel castor, heavy duty castors, with top plate fitting and 'stop-top' brake, Heavy duty wheel with Blickle Besthane® Soft polyurethane tread, with aluminium wheel centre

## Option:



### RI-05.03

Directional lock