

# Product Data Sheet



## ALBS 150/20K

EAN 4047526095468

ID 752954

**Heavy duty wheel with Blickle Besthane® Soft polyurethane tread, with aluminium wheel centre**

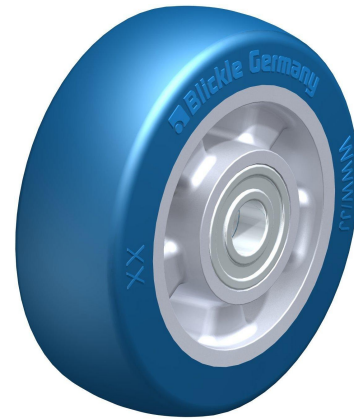
### Wheels:

Made of high-quality, reaction-injected polyurethane-elastomer Blickle Besthane® Soft, very high operational comfort through the especially thick, elastic tread, low-noise operation, very low rolling resistance, high dynamic load capacity, very good floor preservation, very high abrasion resistance, high cut and tear propagation resistance, very good chemical connection with the wheel centre.

**Tread colours:** blue

**Wheel centre/rim:** Made of die-cast aluminium. Casted tread.

**Wheel centre colour:** silver grey



### Rolling resistance

■■■■■ Excellent

### Operating noise

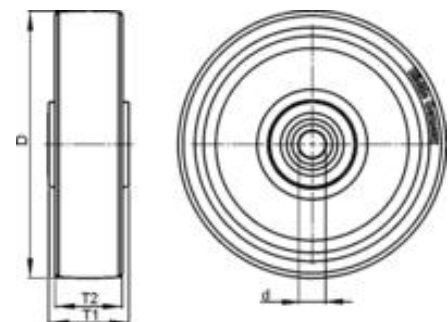
■■■■■ □ Very good

### Floor surface preservation

■■■■■ □ Very good

### Technical data

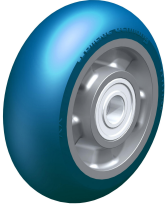
Wheel Ø		150 mm (D)
Wheel width		50 mm (T2)
Load capacity		500 kg
Axle bore Ø		20 mm (d)
Hub length		60 mm (T1)
unit weight		1,2 kg
Temperature resistance to		-25 ° C
Temperature resistance to		70 ° C
tread and tyre hardness		75° Shore A
Bearing type		Ball bearing



# Product Data Sheet



## Variants



### **ALBS 150/20K-CO**

Heavy duty wheel with Blickle Besthane®  
Soft polyurethane tread, with aluminium  
wheel centre