

Product Data Sheet



LI-POHI 100G

EAN 4047526087623

ID 754701

Heat-resistant pressed steel swivel castor with top plate fitting, Heat-resistant, thermoplastic Blickle TempLine® Performance wheel

Bracket:

Made of pressed steel, with double ball bearing in the swivel head, strong central kingpin, ball protection by the special top plate design. The special Blickle dynamic riveting process of the swivel head results in smooth rolling characteristics, increased service life and the swivel head play is set specifically for high temperature applications, with special heat-resistant grease. Bolted wheel axle. Zinc-plated, blue-passivated, Cr6-free.

Wheels:

Made of high-quality, impact-resistant, highly heat-resistant nylon, very low rolling and swivelling resistance, smooth running performance on even floors, very high abrasion resistance, suitable for autoclaves.

Tread colours: dark grey

Wheel centre/rim: - Wheel centre colour: dark grey



Rolling resistance

■■■■■ Excellent

Operating noise

■■□□□ Satisfactory

Floor surface preservation

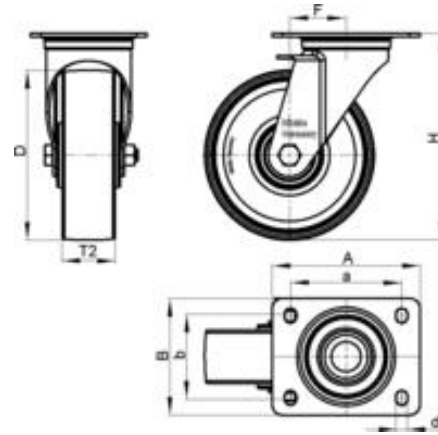
■■□□□ Satisfactory

Product Data Sheet



Technical data

Plate size		100 x 85
Bolt hole spacing		80 x 60
Bolt hole Ø		9
Wheel Ø		100 mm (D)
Wheel width		30 mm (T2)
Load capacity		150 kg
Total height		125 mm (H)
Offset swivel castor		36 mm
unit weight		0,7 kg
Temperature resistance to		-25 ° C
Temperature resistance to		250 ° C
tread and tyre hardness		85° Shore D
Bearing type		Plain bore



Product Data Sheet



Variants



LI-POHI 100G-FI

Heat-resistant pressed steel swivel castor with top plate fitting and 'stop-fix' brake, Heat-resistant, thermoplastic Blickle TempLine® Performance wheel