

# Product Data Sheet



## LI-POHI 200HK

EAN 4047526101107

ID 754709

**Heat-resistant pressed steel swivel castor with top plate fitting, Heat-resistant, thermoplastic Blickle TempLine® Performance wheel**

### Bracket:

Made of pressed steel, with double ball bearing in the swivel head, strong central kingpin, ball protection by the special top plate design. The special Blickle dynamic riveting process of the swivel head results in smooth rolling characteristics, increased service life and the swivel head play is set specifically for high temperature applications, with special heat-resistant grease. Bolted wheel axle. Zinc-plated, blue-passivated, Cr6-free.

### Wheels:

Made of high-quality, impact-resistant, highly heat-resistant nylon, very low rolling and swivelling resistance, smooth running performance on even floors, very high abrasion resistance, suitable for autoclaves.

**Tread colours:** dark grey

**Wheel centre/rim: - Wheel centre colour:** dark grey



### Rolling resistance

■■■■■ Excellent

### Operating noise

■■□□□ Satisfactory

### Floor surface preservation

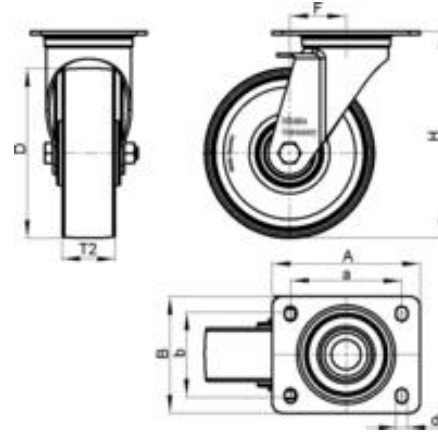
■■□□□ Satisfactory

# Product Data Sheet



## Technical data

Plate size		140 x 110
Bolt hole spacing		105 x 75-80
Bolt hole Ø		11
Wheel Ø		200 mm (D)
Wheel width		50 mm (T2)
Load capacity		350 kg
Total height		235 mm (H)
Offset swivel castor		65 mm
unit weight		3,1 kg
Temperature resistance to		-25 ° C
Temperature resistance to		250 ° C
tread and tyre hardness		85° Shore D
Bearing type		Ball bearing



# Product Data Sheet



## Variants



### **LI-POHI 200HK-FI**

Heat-resistant pressed steel swivel castor with top plate fitting and 'stop-fix' brake, Heat-resistant, thermoplastic Blickle TempLine® Performance wheel