

# Product Data Sheet



## LK-ALBS 82K-FI

EAN 4047526114633

ID 754768

**Pressed steel swivel castor, medium heavy duty brackets, with top plate fitting an 'stop-fix' brake, Heavy duty wheel with Blickle Besthane® Soft polyurethane tread with aluminium wheel centre**

### Bracket:

Made of heavy pressed steel, swivel bracket with double ball bearing in the swivel head, swivel head seals. The special Blickle dynamic riveting process of the swivel head result in minimal swivel head play and smooth rolling characteristics with an increased service life achieved by the work hardening of the ball race grooves. Bolted wheel axle. Zinc-plated, blue-passivated, Cr6-free.

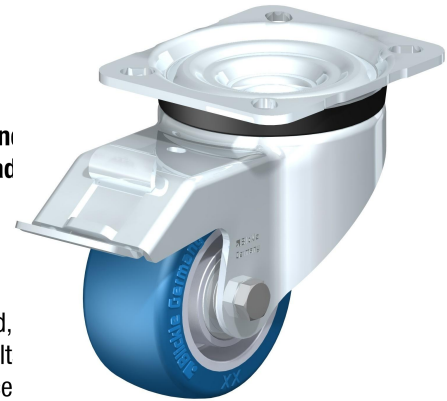
### Wheels:

Made of high-quality, reaction-injected polyurethane-elastomer Blickle Besthane® Soft, very high operational comfort through the especially thick, elastic tread, low-noise operation, very low rolling resistance, high dynamic load capacity, very good floor preservation, very high abrasion resistance, high cut and tear propagation resistance, very good chemical connection with the wheel centre.

**Tread colours:** blue

**Wheel centre/rim:** Made of die-cast aluminium. Casted tread.

**Wheel centre colour:** silver grey



### Rolling resistance

■■■■■ Excellent

### Operating noise

■■■■□ Very good

### Floor surface preservation

■■■■□ Very good

# Product Data Sheet



## Technical data

Plate size		100 x 85
Bolt hole spacing		80 x 60
Bolt hole Ø		9
Wheel Ø		80 mm (D)
Wheel width		40 mm (T2)
Load capacity		230 kg
Total height		110 mm (H)
Offset swivel castor		40 mm
unit weight		1,2 kg
Temperature resistance to		-25 ° C
Temperature resistance to		70 ° C
tread and tyre hardness		75° Shore A
Bearing type		Ball bearing

