

Product Data Sheet



LRXA-TPA 75KD-FK

EAN 4047526082192

ID 755005

Stainless steel light duty swivel castor with bolt hole fitting, Wheel with thermoplastic rubber tread, with polypropylene wheel centre

Bracket:

Made of pressed high-quality, chromium-nickel stainless steel (Material No. 1.4301/AISI 304), with double ball bearing in the swivel head, strong central kingpin, ball protection by the special top plate and ball disc design. The special Blickle dynamic riveting process of the swivel head results in minimal swivel head play and smooth rolling characteristics with an increased service life achieved by the work hardening of the ball race grooves. All parts incl. axle material are corrosion-resistant. Bolted wheel axle. Vibration-ground finished.

Wheels:

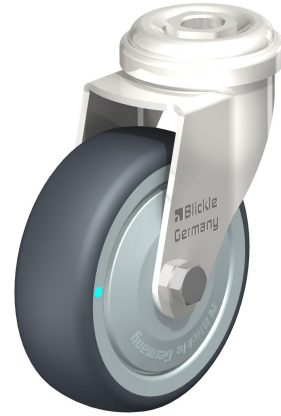
Made of high-quality thermoplastic rubber elastomer (TPE), high operational comfort, low-noise operation, low rolling and swivelling resistance, good floor preservation, chemically bonded for an inseparable connection to the wheel centre.

Tread colours: grey

Wheel centre/rim:

Made of high-quality, impact-resistant polypropylene. Chemically bonded.

Wheel centre colour: grey



Rolling resistance

■■■■□ Very good

Operating noise

■■■■□ Good

Floor surface preservation

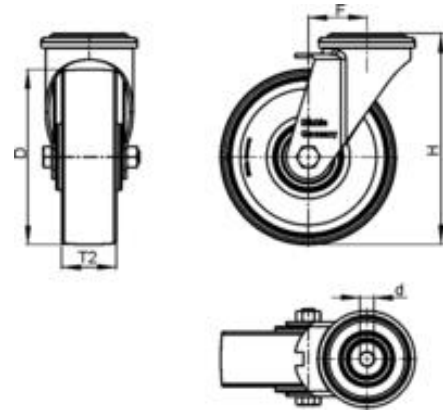
■■■■□ Good

Product Data Sheet



Technical data

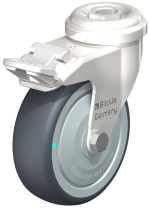
Plate size		43
Bolt hole Ø		11
Wheel Ø		75 mm (D)
Wheel width		25 mm (T2)
Load capacity		75 kg
Total height		98 mm (H)
Offset swivel castor		29 mm
unit weight		0,3 kg
Temperature resistance to		-20 ° C
Temperature resistance to		60 ° C
tread and tyre hardness		85° Shore A
Bearing type		Ball bearing



Product Data Sheet



Variants



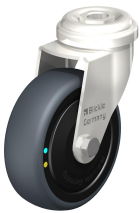
LRXA-TPA 75KD-FI-FK

Stainless steel light duty swivel castor with bolt hole fitting and 'stop-fix' brake, Wheel with thermoplastic rubber tread, with polypropylene wheel centre



LRXA-TPA 75KD-FI-ELS-FK

Stainless steel light duty swivel castor with bolt hole fitting and 'stop-fix' brake, Wheel with thermoplastic rubber tread, with polypropylene wheel centre



LRXA-TPA 75KD-ELS-FK

Stainless steel light duty swivel castor with bolt hole fitting, Wheel with thermoplastic rubber tread, with polypropylene wheel centre