

Product Data Sheet



GB 101/20-50K

EAN 4047526116101

ID 755663

Heavy duty wheel with Blickle Besthane® polyurethane tread, with cast iron wheel centre

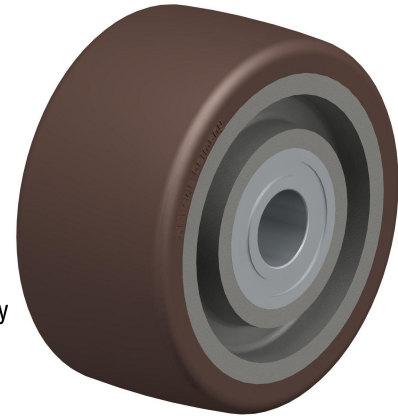
Wheels:

Made of high-quality, reaction-injected polyurethane-elastomer Blickle Besthane®, low-noise operation, very low rolling resistance, high dynamic load capacity, good floor preservation, very high abrasion resistance, high cut and tear propagation resistance, very good chemical connection with the wheel centre.

Tread colours: brown

Wheel centre/rim: Made of grey cast iron, lacquered. Casted tread.

Wheel centre colour: silver



Rolling resistance

■■■■■ Excellent

Operating noise

■■■■□□ Good

Floor surface preservation

■■■■□□ Good

Technical data

Wheel Ø		100 mm (D)
Wheel width		50 mm (T2)
Load capacity		500 kg
Axle bore Ø		20 mm (d)
Clamping length		50 mm (T5)
Hub length		50 mm (T1)
unit weight		1,5 kg
Temperature resistance to		-25 ° C
Temperature resistance to		70 ° C
tread and tyre hardness		92° Shore A
Bearing type		Ball bearing

