

# Product Data Sheet



## PATH 50/6K-FK

EAN 4047526116958

ID 755795

### Wheel with thermoplastic polyurethane tread, with nylon wheel centre Wheels:

Made of high-quality thermoplastic polyurethane, low-noise operation, low rolling and swivelling resistance, good floor preservation, very high abrasion resistance, chemically bonded for an inseparable connection to the wheel centre.

**Tread colours:** dark grey

#### Wheel centre/rim:

Made of high-quality, impact-resistant nylon. Chemically bonded.

**Wheel centre colour:** grey



#### Rolling resistance

■■■■□ Very good

#### Operating noise

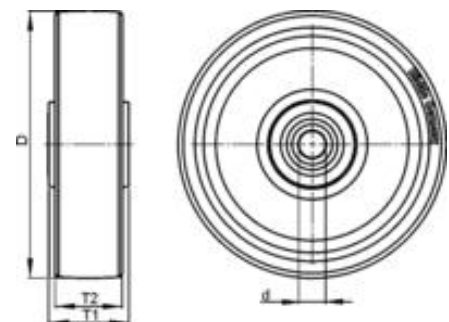
■■■■□ Good

#### Floor surface preservation

■■■■□ Good

### Technical data

Wheel Ø		50 mm (D)
Wheel width		19 mm (T2)
Load capacity		75 kg
Axle bore Ø		6 mm (d)
Hub length		23 mm (T1)
Temperature resistance to		-25 ° C
Temperature resistance to		70 ° C
tread and tyre hardness		94° Shore A
Bearing type		Ball bearing



# Product Data Sheet



## Variants



**PATH 50/6KD-FK**

Wheel with thermoplastic polyurethane tread, with nylon wheel centre



**PATH 50/6KD-ELS-FK**

Wheel with thermoplastic polyurethane tread, with nylon wheel centre



**PATH 50/6K-ELS-FK**

Wheel with thermoplastic polyurethane tread, with nylon wheel centre