

Product Data Sheet



HRLK-ALTH 80K-HN

EAN -

ID 912428

Levelling castor with integrated truck lock and top plate fitting, Heavy duty wheel with Blickle Extrathane® polyurethane tread, with aluminium wheel centre

Bracket:

Made of heavy pressed steel, with double ball bearing in the swivel head, swivel head seals. The special Blickle dynamic riveting process of the swivel head results in minimal swivel head play and smooth rolling characteristics with an increased service life achieved by the work hardening of the ball race grooves. Steel truck lock. Height adjustment with swivelling operating and release lever. Bolted wheel axle. Zinc-plated, blue-passivated, Cr6-free.

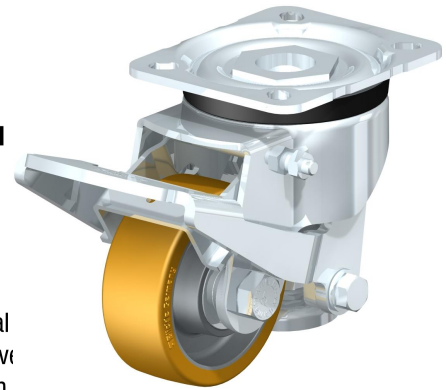
Wheels:

Made of high-quality, reaction-injected polyurethane-elastomer Blickle Extrathane®, low-noise operation, low rolling resistance, good floor preservation, very high abrasion resistance, high cut and tear propagation resistance, very good chemical connection with the wheel centre.

Tread colours: light brown

Wheel centre/rim: Made of die-cast aluminium. Casted tread.

Wheel centre colour: silver



Rolling resistance

■■■■□ Very good

Operating noise

■■■■□ Good

Floor surface preservation

■■■■□ Good

Product Data Sheet



Technical data

| | | |
|---------------------------|--|-------------|
| Plate size | | 100 x 85 |
| Bolt hole spacing | | 80 x 60 |
| Bolt hole Ø | | 9 |
| Wheel Ø | | 80 mm (D) |
| Wheel width | | 30 mm (T2) |
| Load capacity | | 180 kg |
| Total height | | 117 mm (H) |
| Max. total height | | 121 mm (h) |
| Lifting distance | | 4 mm T4 |
| Max foot floor | | 12 mm T3 |
| Offset swivel castor | | 56 mm |
| Temperature resistance to | | -25 ° C |
| Temperature resistance to | | 70 ° C |
| tread and tyre hardness | | 92° Shore A |

