

ProArc[®]
SINCE 1966



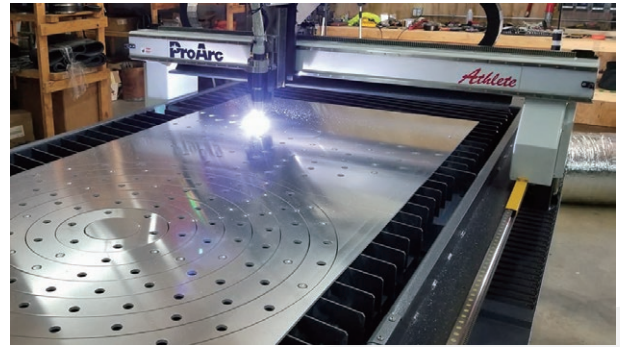
CNC Cutting Machine

ATHLETE
High Accuracy / Best Quality

ATHLETE

High performance cutting machine with excellent cutting quality.

Athlete is the advanced table type cutting system designed for speed and precision, best suited for high definition plasma cutting operation. Special compact design takes minimum floor space, provide quick installation, friendly operation, and “Put & Cut” application!



Features

- All-in-one compact design.
- Outstanding cutting quality and accuracy.
- High efficiency sequential zone fume collection table ready for use.
- Easy installation and minimum setup time.
- Maximum working width with minimum space requirements.

ATHLETE

Optional accessories

- ProArc Sensor THC
- Mechanical height control
- Pneumatic sheet clamp
- Laser point positioning unit
- Gas control system(with high preheat) for oxyfuel cut
- Safety light curtain
- Water table with water level control



• ProArc Dust collector

OPC

Operating Console.



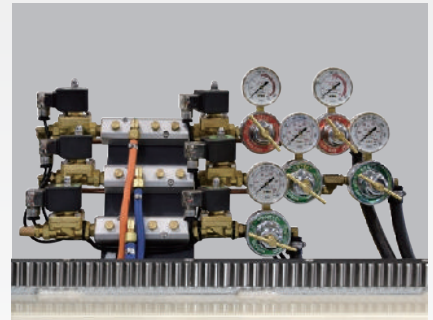
Safety light curtain

Operator Safety



Gas control system

Oxyfuel cutting thickness up to 50mm.



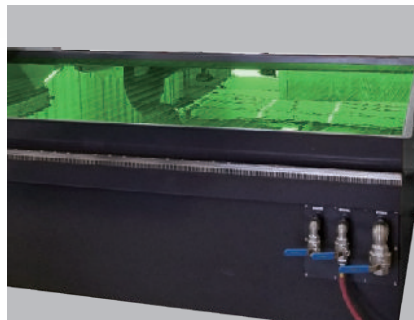
Downdraft table

High efficiency, maintenance free mechanical duct-gate.



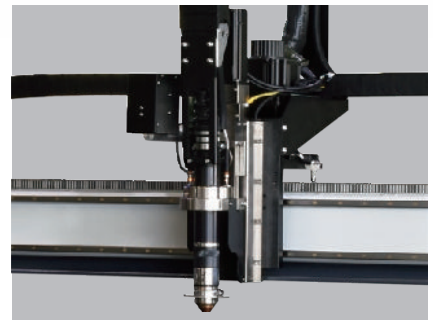
Water table

Water table with water level control and slug tank.



ProArc Sensor THC

Accurate height control with fast positioning for plasma.



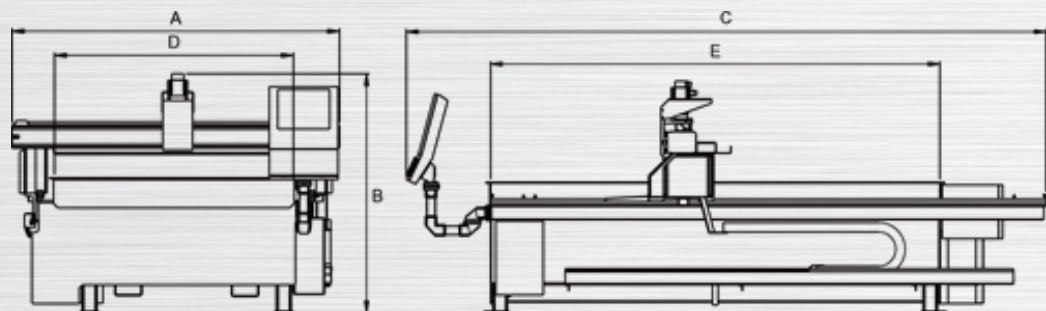
Specification

Model	Unit	Athlete 15	Athlete 20	Athlete 25	Athlete 40
Power input	~	AC 220 / 380V, 50/60Hz, 3 Phase			
Drive method		Precision rack & Pinion			
Travel rail		Double linear way			
Overall width (A)	mm	2,250	2,450	3,100	4,650
Overall height (B)	mm	1,600	1,600	1,600	1,600
Overall length (C)	mm	4,450 (7,550 ^{*1})	4,450 (7,550 ^{*1})	4,450 (7,550 ^{*1})	3,300
Cutting width (D)	mm	1,600	1,850	2,500	4,050
Cutting length (E)	mm	3,100 (6,200 ^{*1})	3,100 (6,200 ^{*1})	3,100 (6,200 ^{*1})	2,030
Cutting speed	m/min	16			
Traveling speed	m/min	24			
Position accuracy	mm	+/-0.1			
Repeatability	mm	+/-0.05			

※ Specifications subject to change without notice

※ 1 For Athlete 1560, Athlete 2060, Athlete 2560

Dimensions



UNITED PROARC CORPORATION

No.3 Gungye 10th Road, Pingjen Industrial Park, Pingjen Dist., Taoyuan City 32459, Taiwan

Tel:886-3-4696600 Fax:886-3-4694499 E-mail:sales@proarc.com.tw

SD-4002EE