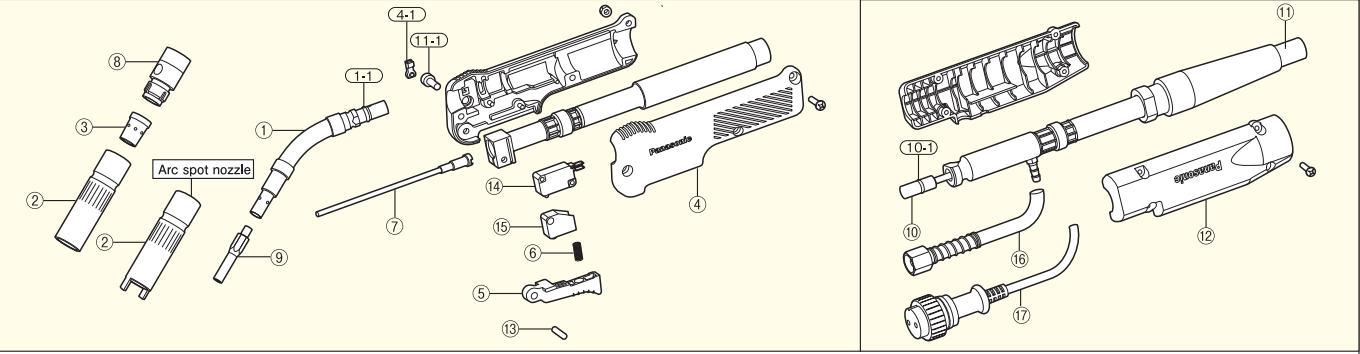


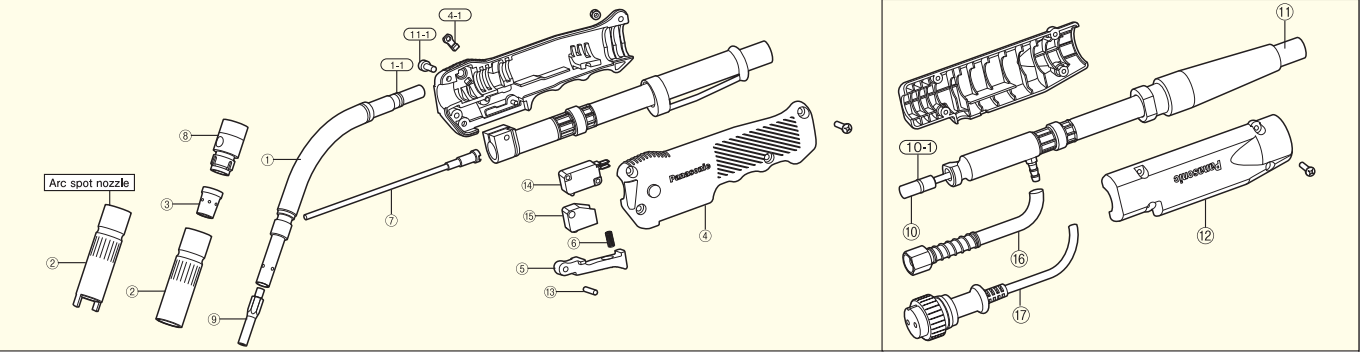
●YT-18CS4 ●YT-20CS4 ●YT-35CE4 ●YT-35CEM4 (CC fitting connection type)



No.	Part Name	YT-18CS4	YT-20CS4	YT-35CE4	YT-35CEM4
1	Torch body	TCU20111		TCU35056	
1-1	O-ring	P8V			
2	Nozzle	TGN01208		*TGN00044 (S1) TGN00043 (S2)	
	Arc spot nozzle	*TGN01210		*TGN01615	
3	Orifices	TGR01001			
4	Handle S	TKC00030			
4-1	Packing	TZV00002			
5	Switch lever S	THL00013			
6	Switch spring	TBN00003			
7	Inner tube	TGT00606	TGT00607	TGT00608	
8	Insulator	TFZ35101			
9	Contact tip	*TET00630(0.6 mm) TET00841 (0.8 mm)	TET00958 (0.9 mm)	*TET00958 (0.9 mm) *TET01067 (1.0 mm)	
		—	*TET01296 (1.2 mm)	TET01296 (1.2 mm)	
10	Liner	TDT00260 (083)	TDT00261 (125)	TDT00261 (125)	TDT00264 (125)
10-1	O-ring	P8			
11	Power cable	TDX00240	TDX00242	TDX00243	TDX00255
11-1	Clamping bolt	TMB00503			
12	Protection tube	TFP00018			
13	Pin	XPJ4B18FJ			
14	Micro switch	YTA16 (AM59356A)			
15	Switch cover	TSK50102			
16	Gas hose assy	TWG18102			
17	Control cable assy	TWU18102			

*Optional parts

●YT-35CS4 ●YT-35CSM4 ●YT-35CSL4 ●YT-35CH4 ●YT-35CHM4 ●YT-35CHL4 (CC fitting connection type)



No.	Part Name	YT-35CS4	YT-35CSM4	YT-35CSL4	YT-35CH4	YT-35CHM4	YT-35CHL4
1	Torch body	TCU35022					
1-1	O-ring	P8V					
2	Nozzle	*TGN00044 (S1) TGN00043 (S2)					
	Arc spot nozzle	*TGN01615					
3	Orifices	TGR01001					
4	Handle C	TKC00029					
4-1	Packing	TZV00002					
5	Swirch lever C	THL00002					
6	Switch spring	TBN00003					
7	Inner tube	TGT00609					
8	Insulator	TFZ35101					
9	Contact tip	*TET00958 (0.9 mm)	—	—	*TET00958 (0.9 mm)	—	—
		*TET01067 (1.0 mm)	—	—	*TET01067 (1.0 mm)	—	—
10	Liner	*TET01296 (1.2 mm)	—	—	*TET01296 (1.2 mm)	—	—
		*TET01447 (1.4 mm)	—	—	*TET01447 (1.4 mm)	—	—
10	Liner	*TDT00279 (S091) TDT00282 (S121)	*TDT00280 (S091) TDT00265 (S121)	TDT00266 (S121)	*TDT00279 (S091) TDT00262 (S121)	*TDT00280 (S091) TDT00265 (S121)	— TDT00266 (S121)
10-1	O-ring	P7					
11	Power cable	TDX00234	TDX00246	TDX00249	TDX00267	TDX00268	TDX00269
11-1	Clamping bolt	XVE5A15					
12	Protection tube	TFP00018					
13	Pin	XPJ4B18FJ					
14	Micro switch	YTA16 (AM59356A)					
15	Switch cover	TSK50102					
16	Gas hose assy	TWG18102					
17	Control cable assy	TWU18102					

*Optional parts