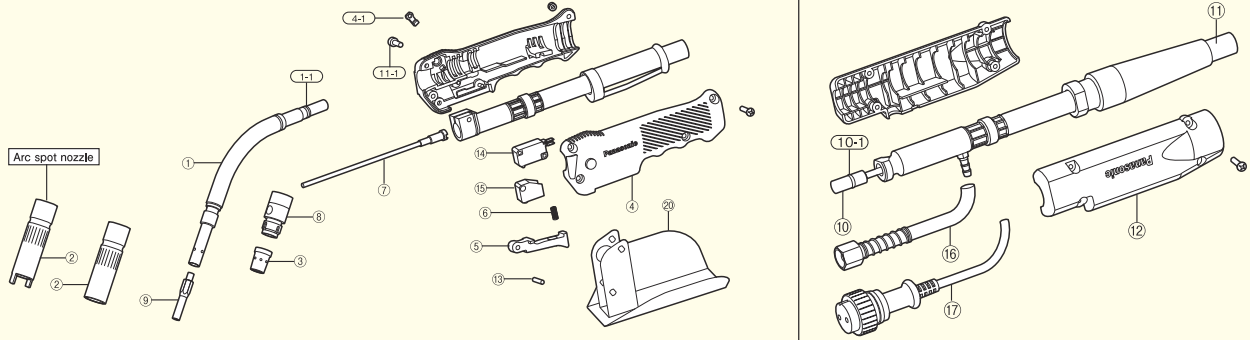


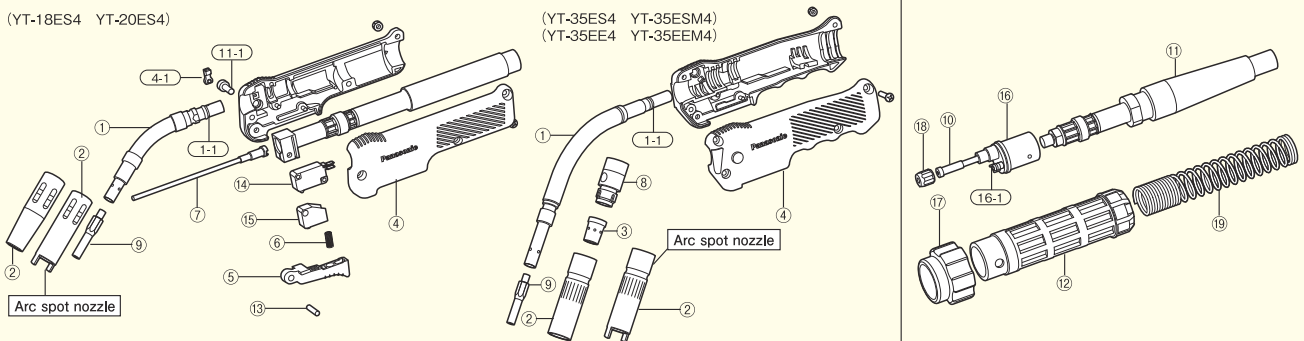
●YT-50CE4 ●YT-50CEM4 ●YT-50CEL4 ●YT-50CS4 ●YT-50CSM4 ●YT-50CSL4 (CC fitting connection type)



No.	Part Name	YT-50CE4	YT-50CEM4	YT-50CEL4	YT-50CS4	YT-50CSM4	YT-50CSL4
1	Torch body		TCU43112			TCX00006	
1-1	O-ring				P8V		
2	Nozzle		TGN00043 (S2)			TGN00056 (S3)	
	Arc spot nozzle		*TGN01615			—	
3	Orifices		TGR01001			TGR00902	
4	Handle C				TKC00029		
4-1	Packing				TZV00002		
5	Switch lever C				THL00002		
6	Switch spring				TBN00003		
7	Inner tube		TGT00035			TGT00033	
8	Insulator		TFZ35101			TFZ50107	
9	Contact tip				*TET01296 (1.2 mm) TET01447 (1.4 mm) *TET01691 (1.6 mm)		
10	Liner	TDT00262 (S121) *TDT00263 (S161)	TDT00265 (S121) *TDT00267 (S161)	TDT00266 (S121) *TDT00268 (S161)	TDT00263 (S161)	TDT00267 (S161)	TDT00268 (S161)
10-1	O-ring				P7		
11	Power cable	TDX00267	TDX00268	TDX00269	TDX00238	TDX00251	TDX00253
11-1	Clamping bolt				XVE5A15		
12	Protection tube				TFP00018		
13	Pin				XPJ4B18FJ		
14	Micro switch				YTA16 (AM59356A)		
15	Switch cover				TSK50102		
16	Gas hose assy				TWG18102		
17	Control cable				TWU18102		
20	Arc cover				*TKA50117		

\*Optional parts

●YT-18ES4 ●YT-20ES4 ●YT-35EE4 ●YT-35EEM4 ●YT-35ES4 ●YT-35ESM4 (Euro connector type)



No.	Part Name	YT-18ES4	YT-20ES4	YT-35EE4	YT-35EEM4	YT-35ES4	YT-35ESM4
1	Torch body		TCU20111		TCU35056		TCU35022
1-1	O-ring				P8V		
2	Nozzle		TGN01208			*TGN00044 (S1) TGN00043 (S2)	
	arc spot nozzle		*TGN01210			*TGN01615	
3	Orifices					TGR01001	
4	Handle C			TKC00030			TKC00029
4-1	Packing				TZV00002		
5	Switch lever C			THL00013			THL00002
6	Switch spring				TBN00003		
7	Inner tube	TGT00606	TGT00607		TGT00608		TGT00609
8	Insulator					TFZ35101	
9	Contact tip	*TET00630 (0.6 mm) TET00841 (0.8 mm)	*TET00841 (0.8 mm) TET00958 (0.9 mm)		*TET00958 (0.9 mm) *TET01067 (1.0 mm)		*TET00958 (0.9 mm) *TET01067 (1.0 mm)
			*TET01296 (1.2 mm)		TET01296 (1.2 mm)		TET01296 (1.2 mm)
10	Liner	TDT00269 (081)		TDT00271 (122)		TDT00274 (123)	*TDT00281 (093) TDT00273 (123)
11	Power cable	TDX00261	TDX00085	TDX00096		TDX00097	TDX00237
11-1	Clamping bolt						XVE5A15
12	Protection tube				YTA1 (BW0195)		
13	Pin				XPJ4B18FJ		
14	Micro switch				YTA16 (AM59356A)		
15	Switch cover				TSK50102		
16	Connection body				TFM00095		
16-1	O-ring				SS4.5		
17	Adapter nut				YTA2 (BW0020)		
18	Liner nut				YTA3 (FA0026)		
19	Protection spring				YTA4 (EA0342)		

\*Optional parts